



GABRIEL SCOTT

EST. 2012



DEAN

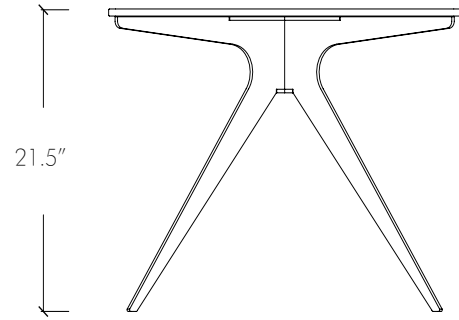
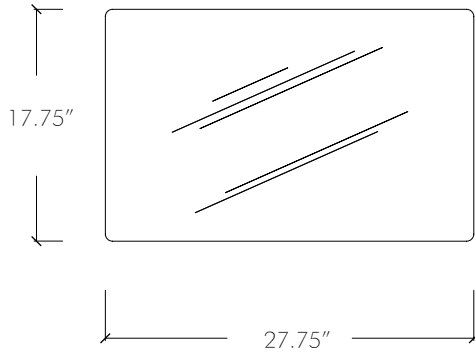
Rectangular Side Table

in Satin Nickel &
Smoked Glass

A design with mid-century sensibilities, meet the Dean. The coolness of a minimalist metallic structure softened by the rounded edges of its glass top, the Dean features a versatile silhouette that breathes space into any room.

Showcasing industrial design met with elegant lines, the metallic bases are available in black, nickel, brass or copper finishes, topped with clear, smoked, or bronzed glass tops.

All Gabriel Scott pieces are handmade in Canada.



SPECIFICATIONS

Standard Finishes:

Metal: Blackened Steel, Satin Nickel, Satin Brass or Satin Copper

Glass: Bronzed Glass, Smoked Glass or Clear Glass

Specifications:

Dimensions: 17.75" x 27.75" x 21.5" H

45 cm x 71 cm x 55 cm H

Tempered glass top: 0.5" / 1.3 cm

Weight: 33 lbs / 15 kg

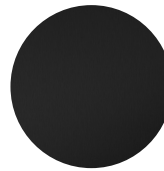
Standard lead time: 8 - 10 weeks

Custom finishes available upon inquiry.

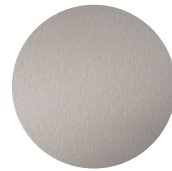
Made and assembled in Canada.

STANDARD FINISHES

Metal:



Blackened Steel -
Base/Hardware



Satin Nickel -
Base/Hardware

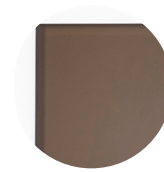


Satin Brass -
Base/Hardware



Satin Copper -
Base/Hardware

Glass:



Bronzed Glass



Smoked Glass



Clear Glass