

# ADAM OTLEWSKI



## SERIES 02 SMALL SCONCE

Solid machined brass, hand-stitched goatskin parchment shade. Goatskin parchment is an excellent diffuser of light and is naturally figured and textured, similar to the surface of the moon. Sconce is reversible at time of installation and can be installed with shade facing up or facing down.

*Also available as corded with plug.*

6-5/8" H x 6" D X 5" W, Shade 5" dia. x 5" H

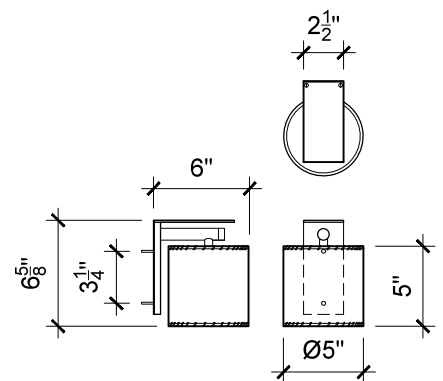
Mounts only to a standard vertical single gang junction box (screw distance 3-1/4"). To be installed only by a licensed electrician. All material finishes are living finishes: they will change and patina for the better with time and use. Every product is individually hand-made to order and slotted in frequent production batches; lead time is determined once order is confirmed.

Recommended bulb "LED 60 Watt Equivalent G16 Globe 2700k Dimmable" included. LED Bulb only.

E26 keyless socket.

Not suitable for damp locations.

UL certification, as well as custom sizing and configurations are available upon request.



# ADAM OTLEWSKI



## SERIES 02 LARGE SCONCE

Solid machined brass, hand-stitched goatskin parchment shade. Goatskin parchment is an excellent diffuser of light and is naturally figured and textured, similar to the surface of the moon. Sconce is reversible at time of installation and can be installed with shade facing up or facing down.

*Also available as corded with plug.*

8-1/8"H x 7"D X 6"W, Shade 6" dia. x 6-1/2"H

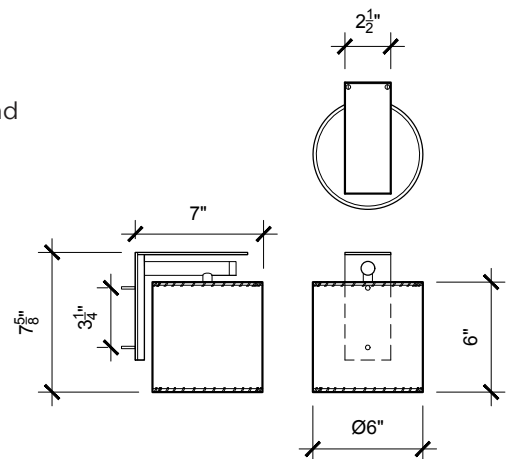
Mounts only to a standard vertical single gang junction box (screw distance 3-1/4"). To be installed only by a licensed electrician. All material finishes are living finishes: they will change and patina for the better with time and use. Every product is individually hand-made to order and slotted in frequent production batches; lead time is determined once order is confirmed.

Recommended bulb "LED 60 Watt Equivalent G16 Globe 2700k Dimmable" included. LED Bulb only.

E26 keyless socket.

Not suitable for damp locations.

UL certification, as well as custom sizing and configurations are available upon request.



# ADAM OTLEWSKI



## SERIES 02 SMALL FLUSH MOUNT

Solid machined brass, hand-stitched goatskin parchment shade with diffuser. Goatskin parchment is an excellent diffuser of light and is naturally figured and textured, similar to the surface of the moon.

7-3/4" H +/-, Shade 6" dia. x 6"H

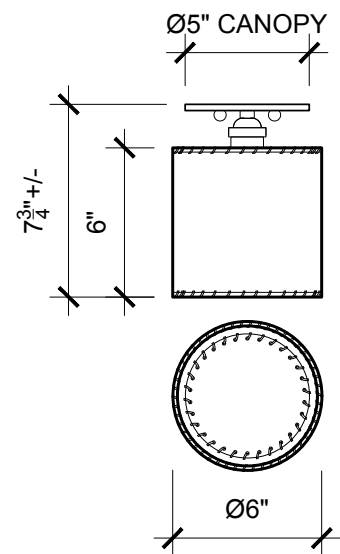
Mounts only to standard junction boxes with either 2-3/4" or 3-1/2" mounting screw distance. To be installed only by a licensed electrician. All material finishes are living finishes: they will change and patina for the better with time and use. Every product is individually hand-made to order and slotted in frequent production batches; lead time is determined once order is confirmed.

Recommended bulb "LED 100 Watt Equivalent 2700k Dimmable" included. LED bulb only.

E26 keyless socket.

Not suitable for damp locations.

UL certification, as well as custom sizing and configurations are available upon request.





# ADAM OTLEWSKI



## SERIES 02 LARGE FLUSH MOUNT

Solid machined brass, hand-stitched goatskin parchment shade with diffuser. Goatskin parchment is an excellent diffuser of light and is naturally figured and textured, similar to the surface of the moon.

7-3/4"H, Shade 12" dia. x 6"H

Mounts only to standard junction boxes with either 2-3/4" or 3-1/2" mounting screw distance. To be installed only by a licensed electrician. All material finishes are living finishes: they will change and patina for the better with time and use. Every product is individually hand-made to order and slotted in frequent production batches; lead time is determined once order is confirmed.

Recommended bulb "LED 100 Watt Equivalent 2700k Dimmable" included. LED bulb only.

E26 keyless socket.

Not suitable for damp locations.

UL certification, as well as custom sizing and configurations are available upon request.

