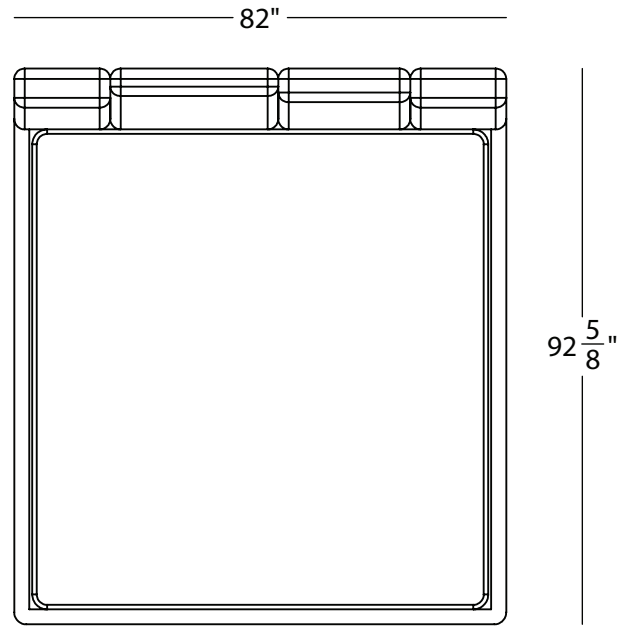


MATERIA

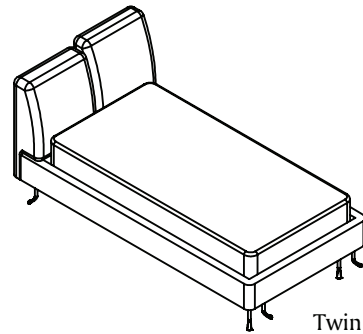
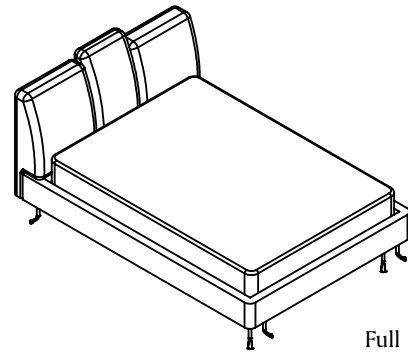
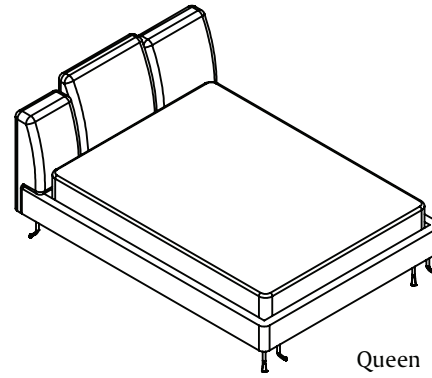
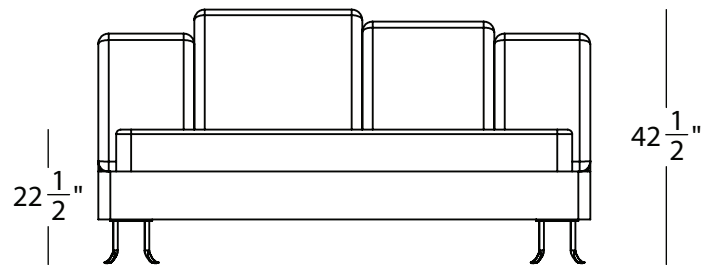


BEATRICE

MATERIA



King



BEATRICE

The ASPECT upholstery collection takes its inspiration for the varying headboard cushion heights from the round-edge windows of the nearby cast iron building in Soho.

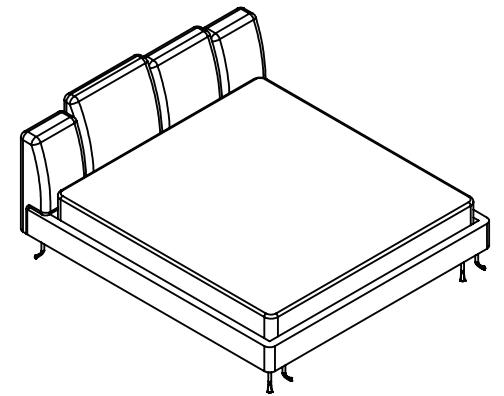
LEAD TIME:

Approx 8 weeks from fabric receipt

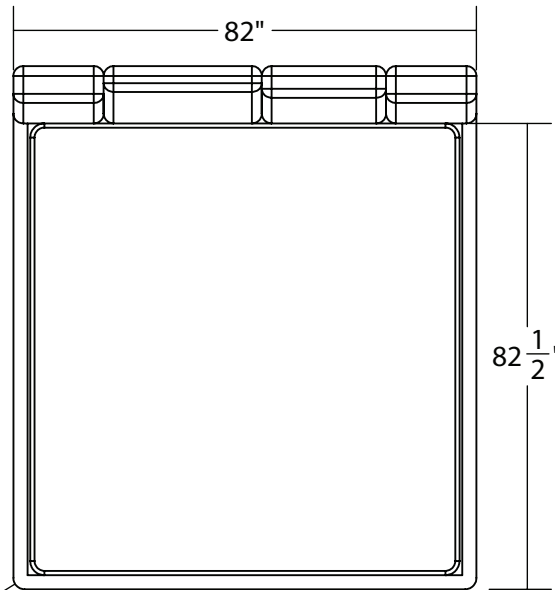
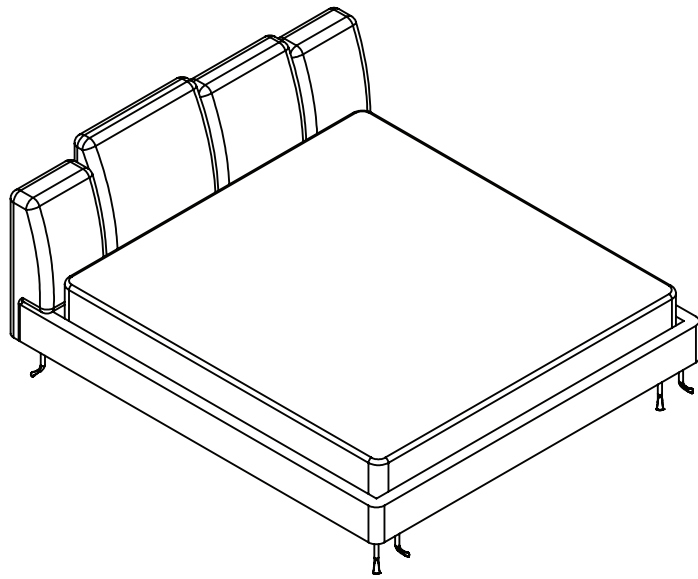
DIMENSIONS:

King: 92 $\frac{5}{8}$ "l x 82"w x 42 $\frac{1}{2}$ "h
Queen: 92 $\frac{5}{8}$ "l x 66"w x 42 $\frac{1}{2}$ "h
Full: 87 $\frac{5}{8}$ "l x 60"w x 42 $\frac{1}{4}$ "h
Twin: 87 $\frac{5}{8}$ " x 44"w x 40 $\frac{1}{4}$ "h

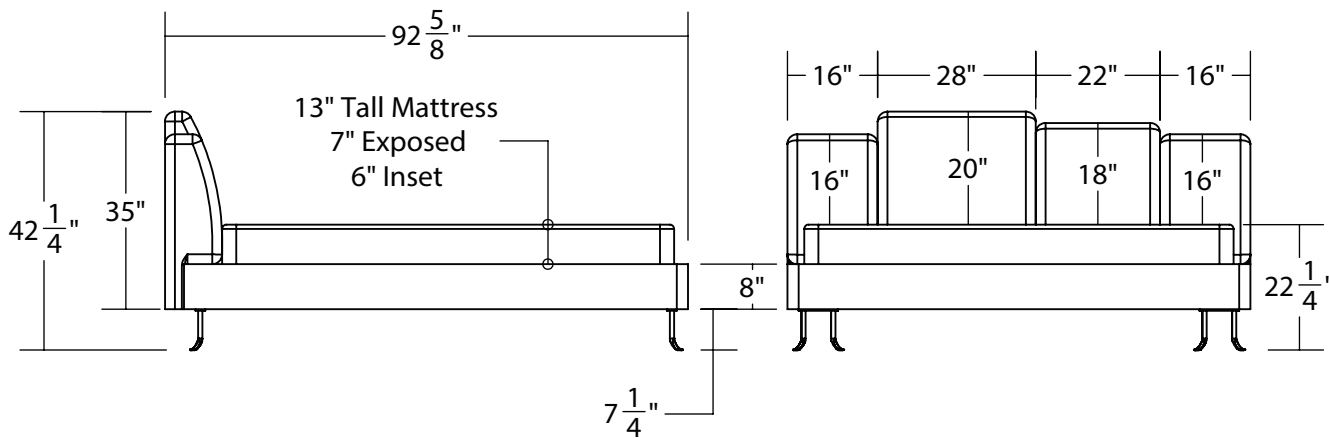
Mattress Height: 22 $\frac{1}{2}$ "
Foot Height: 7 $\frac{1}{2}$ "



MATERIA



R3"



BEATRICE KING

LEAD TIME:

Approx 8 weeks from fabric receipt

DIMENSIONS:

King: 92 5/8"l x 82"w x 42 1/2"h

Mattress Height: 22 1/2"

Foot Height: 7 1/2"

MATERIALS:

Feet: blackened steel

Upholstery: C.O.M

YARDAGE:

SOLID FABRIC: 15 yards

DUAL SOLID FABRICS: 12 yards frame, 3 yards side panels

PRINTS: please inquire regarding yardage

ORIGIN:

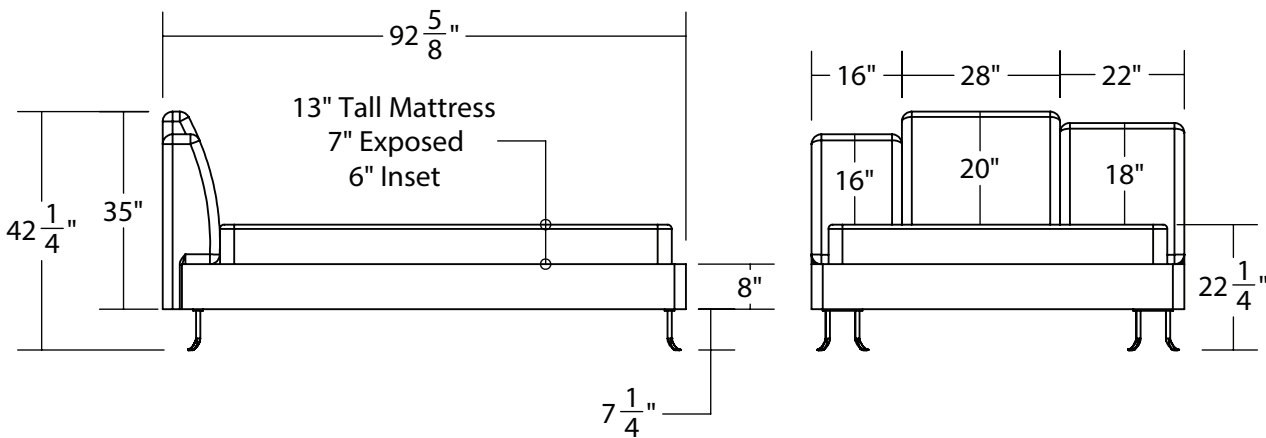
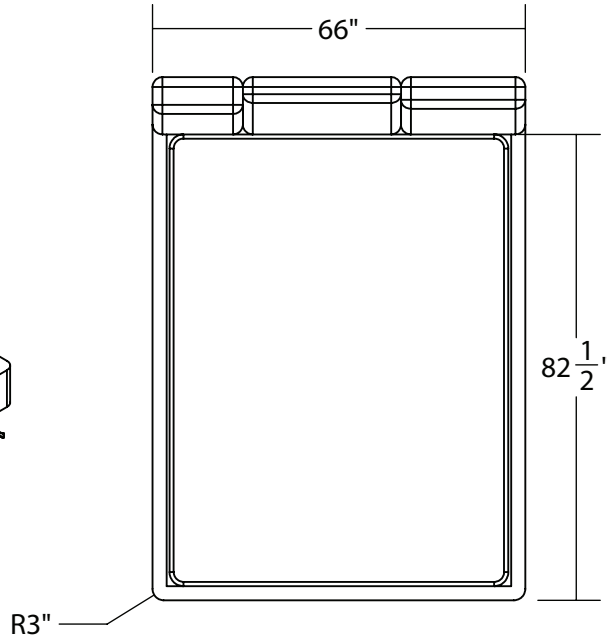
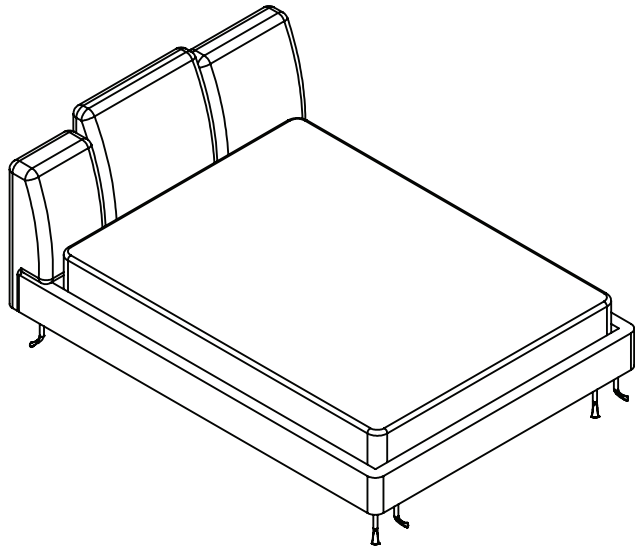
Made in New York of domestic and foreign materials

YEAR:

2022

CUSTOMIZATIONS AVAILABLE UPON REQUEST

MATERIA



BEATRICE QUEEN

LEAD TIME:

Approx 8 weeks from fabric receipt

DIMENSIONS:

Queen: 92 5/8" l x 66" w x 42 1/2" h

Mattress Height: 22 1/2"

Foot Height: 7 1/2"

MATERIALS:

Feet: blackened steel

Upholstery: C.O.M.

YARDAGE:

SOLID FABRIC: 11 yards

DUAL SOLID FABRICS: 8 yards frame, 3 yards side panels

PRINTS: please inquire regarding yardage

ORIGIN:

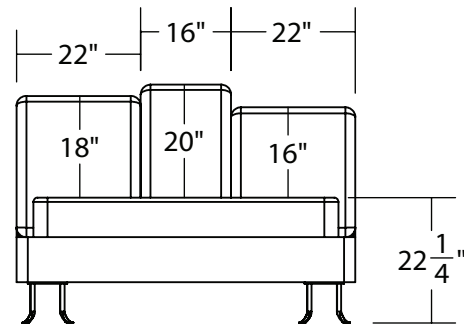
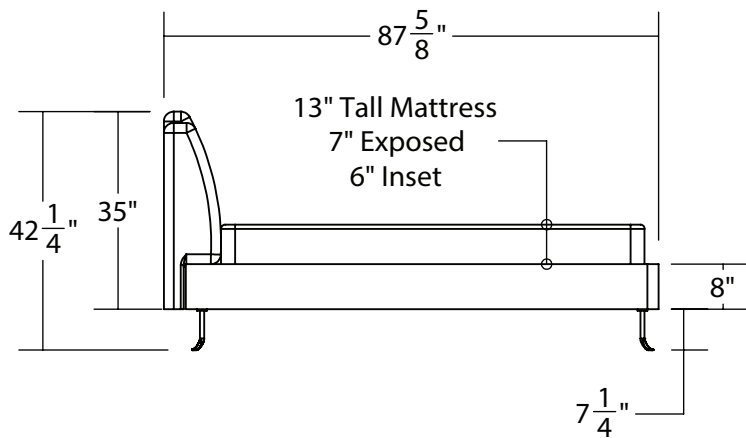
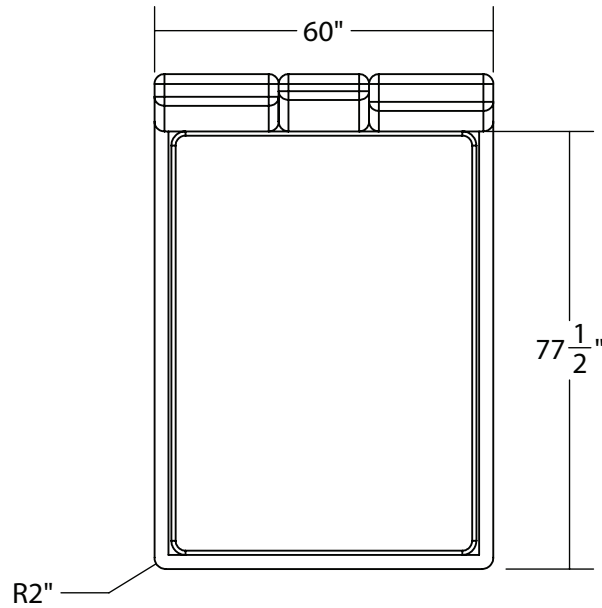
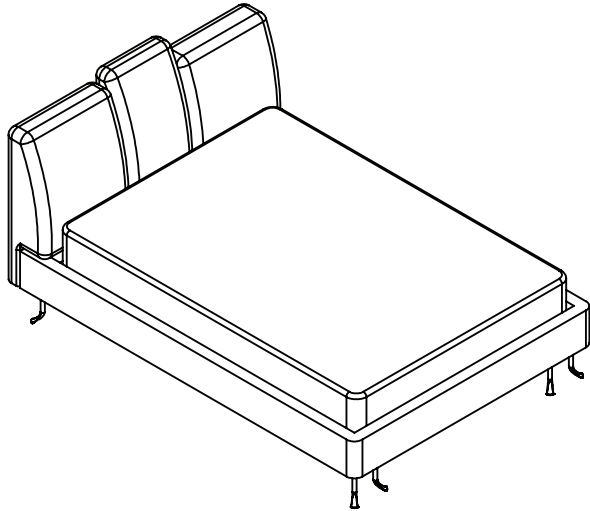
Made in New York of domestic and foreign materials

YEAR:

2022

CUSTOMIZATIONS AVAILABLE UPON REQUEST

MATERIA



BEATRICE FULL

LEAD TIME:

Approx 8 weeks from fabric receipt

DIMENSIONS:

Full: 87 5/8"l x 60"w x 42 1/4"h

Mattress Height: 22 1/2"

Foot Height: 7 1/2"

MATERIALS:

Feet: blackened steel

Upholstery: C.O.M

YARDAGE:

SOLID FABRIC: 10 yards

DUAL SOLID FABRICS: 7 yards frame, 3 yards side panels

PRINTS: please inquire regarding yardage

ORIGIN:

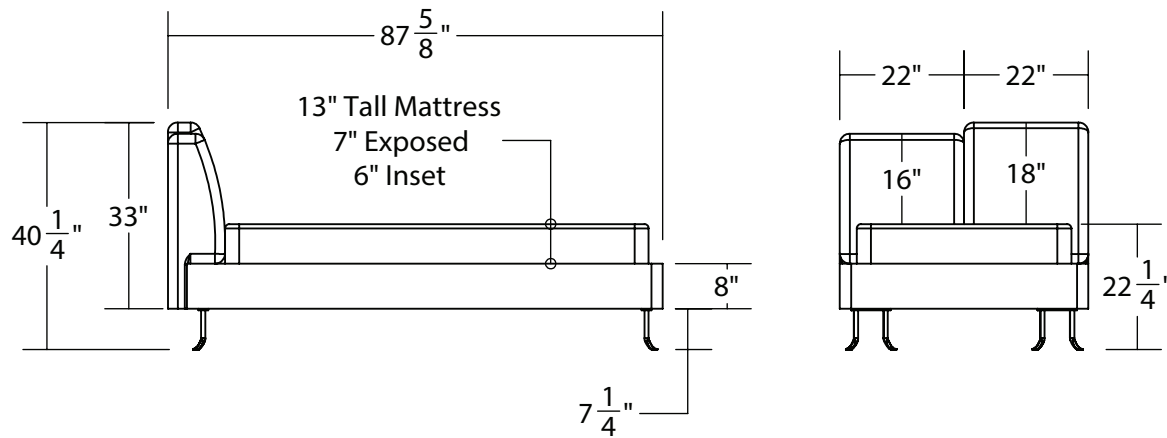
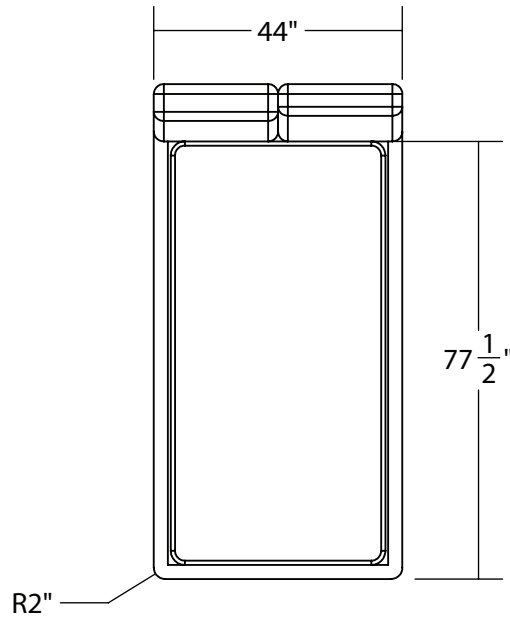
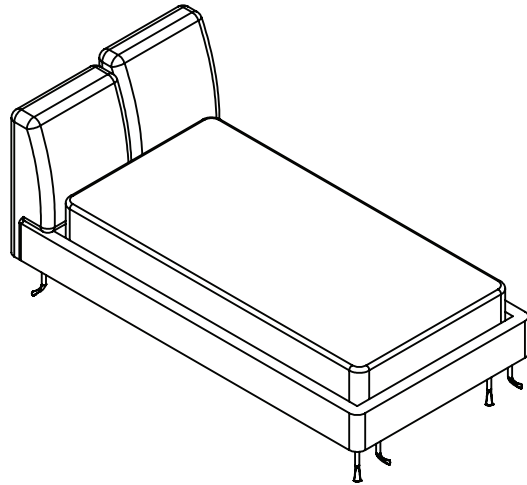
Made in New York of domestic and foreign materials

YEAR:

2022

CUSTOMIZATIONS AVAILABLE UPON REQUEST

MATERIA



BEATRICE TWIN

LEAD TIME:

Approx 8 weeks from fabric receipt

DIMENSIONS:

Twin: 87 5/8" x 44"w x 40 1/4"h

Mattress Height: 22 1/2"

Foot Height: 7 1/2"

MATERIALS:

Feet: blackened steel

Upholstery: C.O.M

YARDAGE:

SOLID FABRIC: 8 yards

DUAL SOLID FABRICS: 6 yards frame, 2 yards side panels

PRINTS: please inquire regarding yardage

ORIGIN:

Made in New York of domestic and foreign materials

YEAR:

2022

CUSTOMIZATIONS AVAILABLE UPON REQUEST