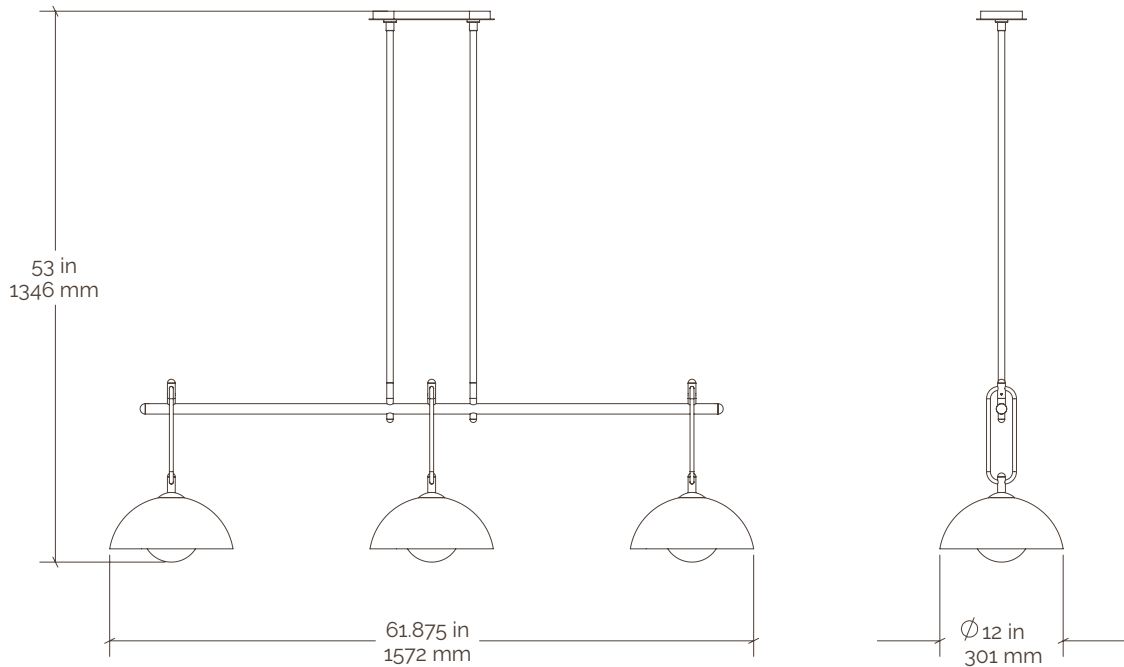




# Bancroft Three Light Ceiling Fixture

Incandescent



<b>Collection</b>	Bancroft	<b>Mounting</b>	4 in octagon box or handy box
<b>Number</b>	BAN-CF01	<b>Canopy</b>	W: 4.75 in / 121 mm L: 12 in / 305 mm
<b>Product</b>	Pendant	<b>Certifications</b>	UL listed / Damp
<b>Appx. Dimensions</b>	H: 53 in / 1346 mm W: 61.875 in / 1572 mm	<b>Ceramic Reflector</b>	HM12
<b>Weight</b>	18 lbs / 8.1 kgs	<b>Glass Diffuser</b>	SP05
<b>Materials</b>	Brass & Terracotta	<b>Lamping</b>	120V / E12 Type T
<b>Finishes</b>	Available in any Pax brass & ceramic finish	<b>Lamping Spec</b>	9.5 w / 950 lm / 3000 k each
		<b>Dimming</b>	Dimmable with most incandescent and LED dimmers.

Down rod is 33.75in./857mm. Can be cut to length on-site or specified to length. Longer length available.

**SKU Key** Finish legend available at [paxlighting.com/finishes](http://paxlighting.com/finishes)

B	A	N	-	C	F	0	1	-					-	H	M	1	2	-					-	S	P	0	5	-	W
Model				Metal Finish				Ceramic				Ceramic Finish				Diffuser													





# Specifications

## SKU Legend

XX-	XXX-	XXX-	XXXX-	XXX-	Ceramic Finish	XXXX-	X
Fixture Type	Family	Metal Finish	Ceramic	Ceramic Finish	Ceramic Finish Cont.	Diffuser Shape	Diffuser Finish
CF (Ceiling Fixture)	BAN (Bancroft)	BRB (Brushed Brass)	HM04 (4" Diameter Hemisphere)	AZL (Azure Lichen)	DIVL (Double Ivory Lichen)	SP03	W (White)
FM (Flush Mount)	EMM (Emmet)	BRN (Brushed Nickel)	HM07 (7" Diameter Hemisphere)	AZM (Azure Matte)	DVDL (Double Verde Lichen)	SP04	
PD (Pendant)	DIX (Dixon)	DAB (Dark Aged Brass)	HM12 (12" Diameter Hemisphere)	BLL (Black Lichen)	FRM (Forest Matte)	SP05	
SC (Sconce)	LAW (Lawrence)	GRA (Graphite)	CN12 (12" Height Cone)	BLM (Black Matte)	IVL (Ivory Lichen)		
FL (Floor)	ROS (Roseland)	LAB (Light Aged Brass)	LD15 (15" Diameter Low Dome)	CHL (Chocolate Lichen)	IVP (Ivory Porcelain)		
TB (Table)	CRE (Creston)	TXB (Textured Black)	AD01 (As Designed)	CHM (Chocolate Matte)	NVM (Navy Matte)		
		TXI (Textured Ivory)		DAZL (Double Azure Lichen)	VDL (Verde Lichen)		
		TXW (Textured White)		DBLL (Double Black Lichen)	VDM (Verde Matte)		
				DCHL (Double Chocolate Lichen)			

## Incandescent Base Lamp Specs

### E12 Type T

Type	E12 Type T
Input Voltage	120
Watts Each	4.5
Lumens Each	450
Color Temperature	3000 K
Life Expectancy	3 yrs, 25,000 hours

Type	E12 Type T
Input Voltage	120
Watts Each	6.0
Lumens Each	600
Color Temperature	3000 K
Life Expectancy	3 yrs, 25,000 hours

Type	E12 Type T
Input Voltage	120
Watts Each	9.5
Lumens Each	950
Color Temperature	3000 K
Life Expectancy	3 yrs, 25,000 hours