

BEN & AJA BLANC

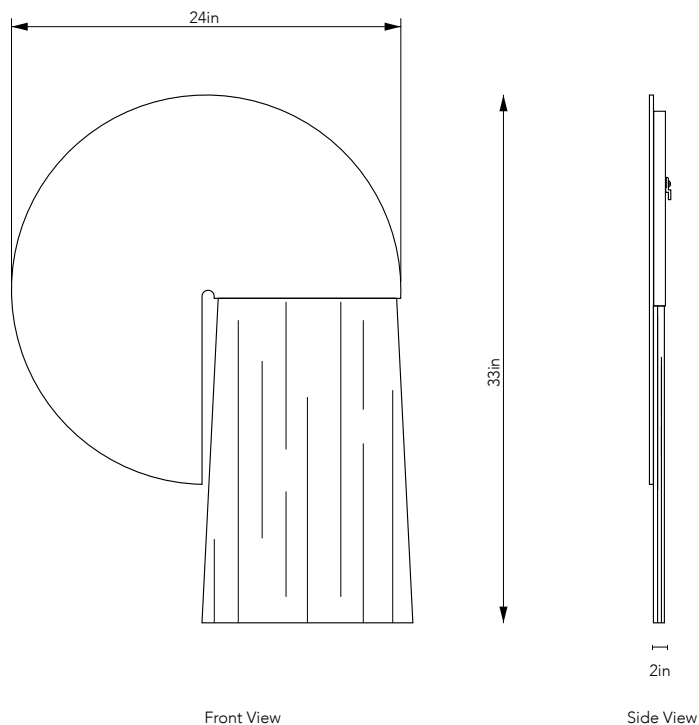


Aries Mirror (Black Mirror)

33L X 24W X 2D INCHES | MIRROR, MONGOLIAN HORSE HAIR, BRASS | LEAD TIME 8-10 WEEKS | WEIGHT 15LBS

customization available upon request

Aries Mirror



The Aries mirror partners Mongolian horsehair and black mirror to create a juxtaposition of material and texture. Customization is available.

MATERIALS

Mirror, Mongolian Horsehair, Brass

DIMENSIONS

33L x 24W x 2D inches

VWEIGHT

15 lbs

LEAD TIME

8-10 weeks

BASE PRICE \$3600

MIRROR SPECIFICATION



HORSE HAIR SPECIFICATION



CUSTOMIZATION

Custom sizing available, price upon request

TO PLACE AN ORDER

All pieces are made to order.

For standard orders, please submit a P.O. to hello@benandajablanc.com.

For custom orders please request a formal quote prior to submitting a P.O.

INVOICING TERMS

Due to the bespoke, handmade nature of our work, production begins with the receipt of payment.

RUSH ORDERS

Please email hello@benandajablanc.com to inquire about availability.

MADE IN THE USA