

BERKELEY



ERIC KUSTER®
METROPOLITAN LUXURY

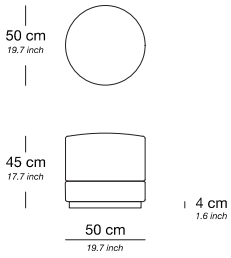
BERKELEY

PRODUCT INFORMATION - OTTOMANS

The Berkeley product line can be tailored to fit your precise size requirements.

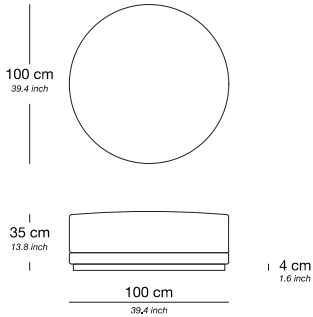
Frame	Solid beechwood
Frame padding	Cold foam 90561
Seat cushion(s)	Nosag feathers with Pantera 50160 (cold foam)
Back cushion(s)	Pantera 50 (covered with dacron)
Cover	Fixed upholstery in fabric or leather
Base	Solid beechwood bottom plate and adjustable gliders

Ottoman 50



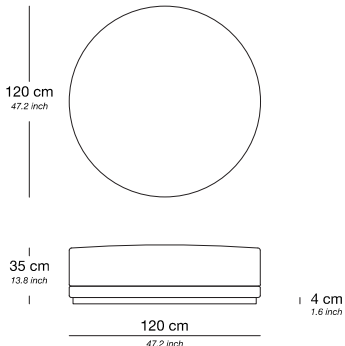
Base / Feet / Finish	Fabric (m)	Leather (m ²)	Note
Solid beechwood dark brown	1,6	3,2	-
Solid beechwood black	1,6	3,2	-

Ottoman 100



Base / Feet / Finish	Fabric (m)	Leather (m ²)	Note
Solid beechwood dark brown	2,7	5,4	-
Solid beechwood black	2,7	5,4	-

Ottoman 120



Base / Feet / Finish	Fabric (m)	Leather (m ²)	Note
Solid beechwood dark brown	3,3	6,6	-
Solid beechwood black	3,3	6,6	-

