

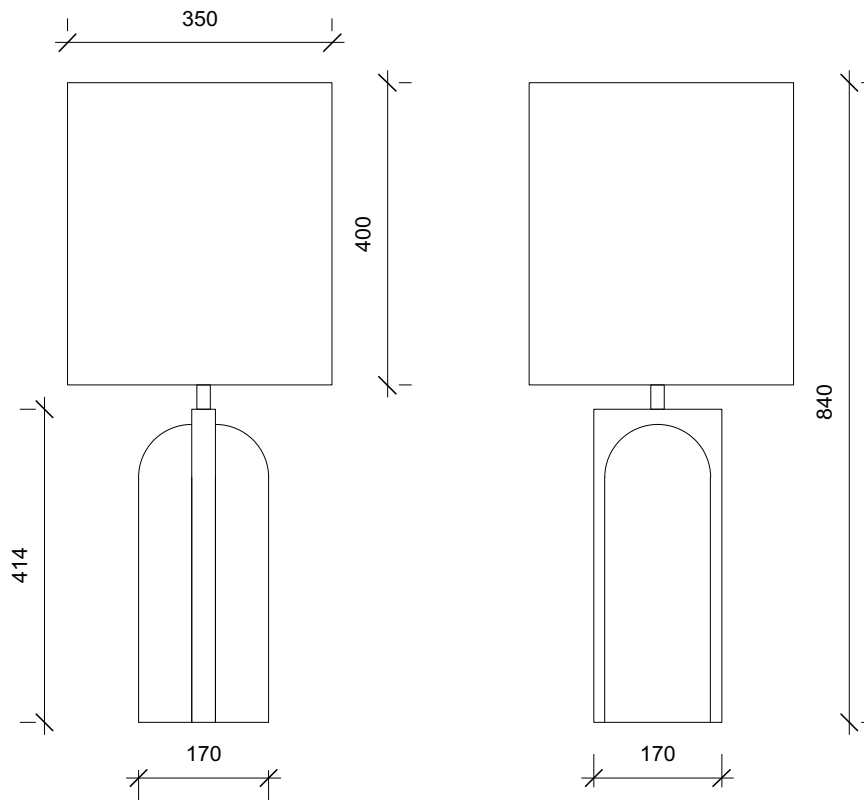


SQUARE IN CIRCLE  
S T U D I O

## BOOK ENDS – TABLE LAMP

REF TL 037

The refined contemporary style of this table lamp is crafted from a tapered and rounded black marble base which is halved and has a metal base panel inserted. The design of this lamp is inspired by book ends. Crafted from black marble, brushed brass and a white cotton shade.



### MATERIAL:

Electroplated Iron/ hand brushed finish

RECOMMENDED LAMP: 1 x LED E27 Bulb

### FINISH:

Brushed brass/ black marble/ white cotton shade

MAX WATTAGE:

100W

VOLTAGE:

230V

### DIMENSION :

Height 840mm

33"

Base width 170mm

6.7"

Shade height 400mm

15.7"

Shade dia 350mm

13.7"

NET WEIGHT: 11.5kg 25.3lb

INFO@CKSCollective.COM



WWW.CKSCollective.COM