

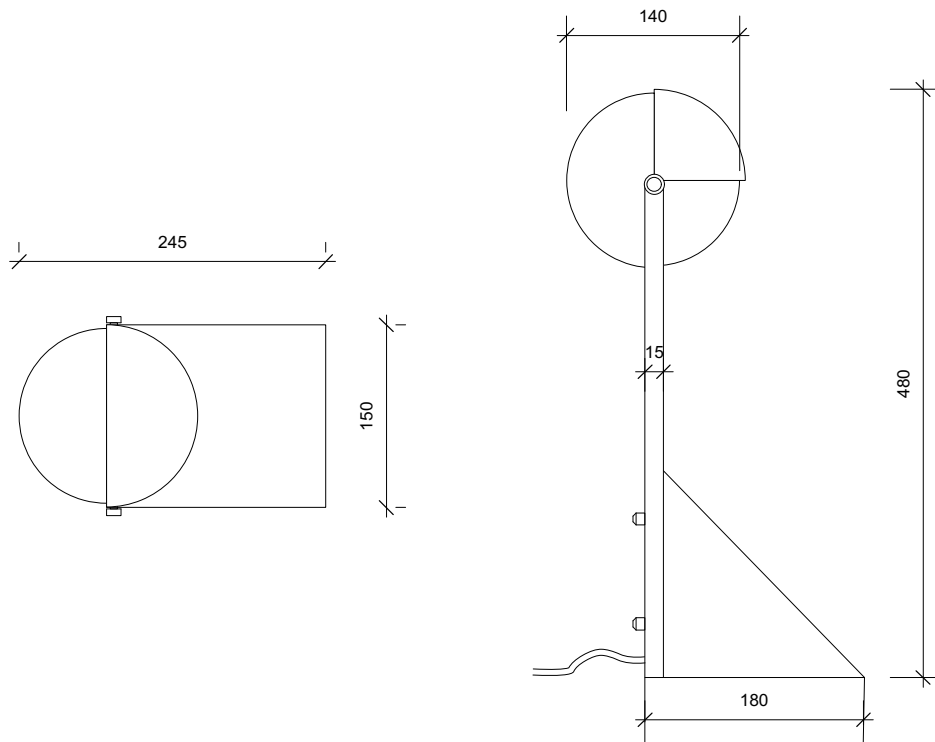


SQUARE IN CIRCLE
S T U D I O

DANCE OF GEOMETRY – TABLE LAMP

REF TL 002

Inspired by costumes from The Bauhaus Ballet, this triadic table lamp design utilizes the three essential geometric forms: square, circle and triangle. It retains a minimal contemporary look. The light is crafted from two tone metals, shown in brushed brass and brushed grey metal with an frosted glass globe.



MATERIAL:
Electroplated Iron/ hand brushed finish

FINISH:
Brushed brass/ brushed grey metal/ white frosted glass
(Other finishes available)

DIMENSION :

Height	480mm	18.9"
Globe dia	140mm	5.5"
Width	180mm	7.1"
Length	245mm	9.6"

RECOMMENDED LAMP: G9 LED pin

WATTAGE: 3W

VOLTAGE: 230V

COLOUR : 3000K

NET WEIGHT: 3.8kg 8.3lb

INFO@CKSCollective.COM

CKS
COLLECTIVE

WWW.CKSCollective.COM