

ATELIER ARETI

PRODUCT

Disc and Sphere addition subtraction 501
Wall light / Addition

MATERIALS AND COLOUR OPTIONS

Polished brass; powder coated metal; brushed nickel;
white glass

VERSIONS

Polished brass disc; black cone attachment

501OL-W01-BR01

Polished brass disc; white cone attachment

501OL-W01-BR02

Black metal disc and cone attachment

501OL-W01-ME01

Coloured metal disc and cone attachment

501OL-W01-ME02

Brushed nickel disc; black cone attachment

501OL-W01-NI01

Brushed nickel disc; white cone attachment

501OL-W01-NI02

TECHNICAL DETAILS

1 x G9 LED 5W max

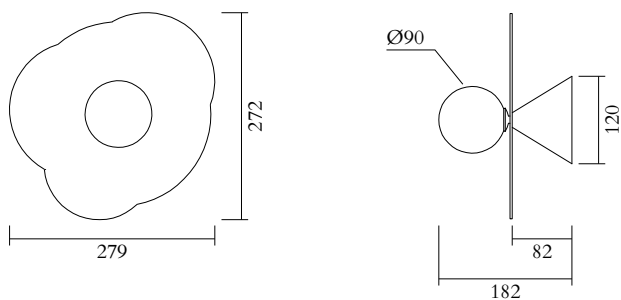
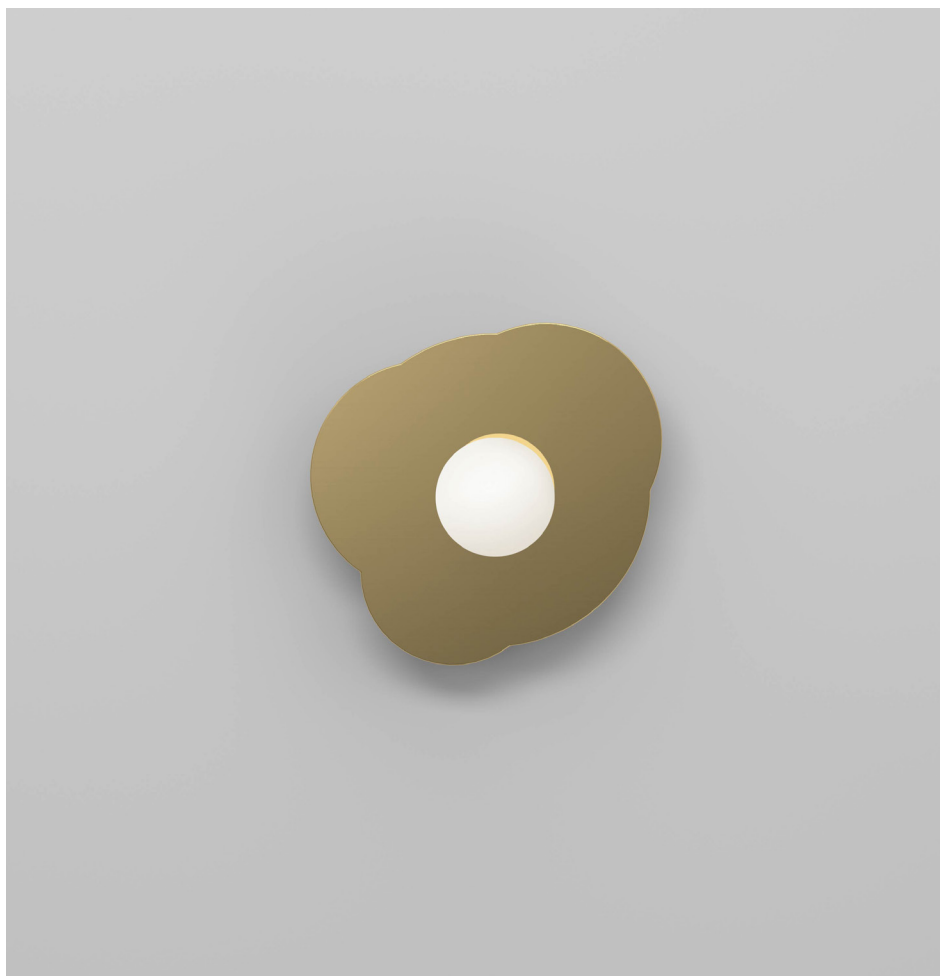
110-230V

IP20

Lights bulb not included

MADE IN

Germany



Sizes in mm. Flat attachments available under request. Variations in colour and size are available for some collections, please contact Areti for more details.

Our collections are hand made and made to order, small irregularities in shape or surface will occur, they are inherent to the hand made process and should not be seen as flaws. For detailed information on any products: contact@atelierareti.com

ATELIER ARETI

PRODUCT

Disc and Sphere addition subtraction 501
Wall light / Subtraction

MATERIALS AND COLOUR OPTIONS

Polished brass; powder coated metal; brushed nickel;
white glass

VERSIONS

Polished brass disc; black cone attachment

501OL-W02-BR01

Polished brass disc; white cone attachment

501OL-W02-BR02

Black metal disc and cone attachment

501OL-W02-ME01

Coloured metal disc and cone attachment

501OL-W02-ME02

Brushed nickel disc; black cone attachment

501OL-W02-NI01

Brushed nickel disc; white cone attachment

501OL-W02-NI02

TECHNICAL DETAILS

1 x G9 LED 5W max

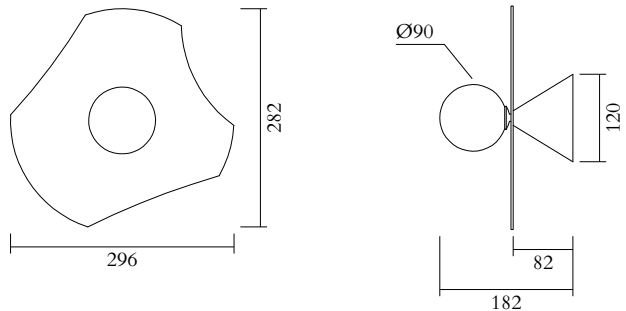
110-230V

IP20

Lights bulb not included

MADE IN

Germany



Sizes in mm. Flat attachments available under request. Variations in colour and size are available for some collections, please contact Areti for more details.

Our collections are hand made and made to order, small irregularities in shape or surface will occur, they are inherent to the hand made process and should not be seen as flaws. For detailed information on any products: contact@atelierareti.com