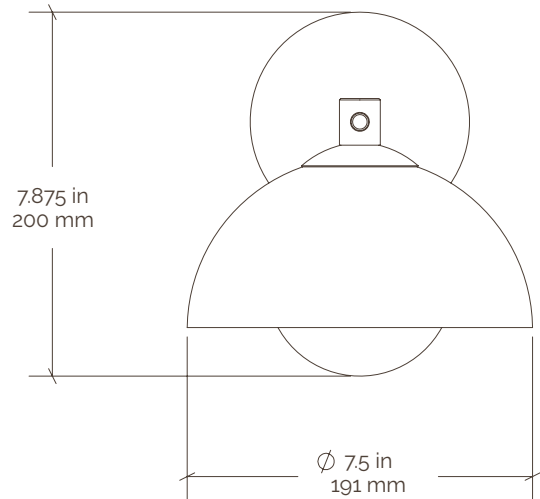
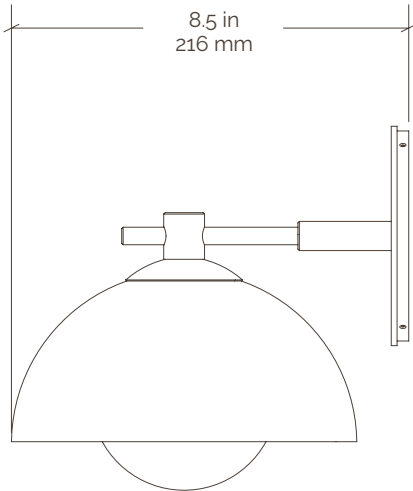




Dixon Sconce

Incandescent



Collection	Dixon	Mounting	4 in octagon box
Number	DIX-SC01	Backplate	4.75 in / 121 mm
Product	Sconce	Certifications	UL listed / Damp
Appx. Dimensions	H: 7.875 in / 200 mm W: 8.5 in / 216 mm	Ceramic Reflector	Hm07
Weight	3 lbs / 1.4 kgs	Glass Diffuser	SP04
Materials	Brass & Terracotta	Lamping	120V / E12 Type T
		Lamping Spec	6.0 w / 600 lm / 3000 k each
Finishes	Available in any Pax brass & ceramic finish	Dimming	Dimmable with most incandescent and LED dimmers.

*WALL MOUNT ONLY

SKU Key Finish legend available at paxlighting.com/finishes

D	I	X	-	S	C	0	1	-				-	H	M	0	7	-				-	S	P	0	4	-	W
Model				Metal Finish					Ceramic				Ceramic Finish				Diffuser										





Specifications

SKU Legend

XX-	XXX-	XXX-	XXXX-	XXX-	Ceramic Finish	Ceramic Finish Cont.	XXXX-	X
Fixture Type	Family	Metal Finish	Ceramic	Ceramic Finish			Diffuser Shape	Diffuser Finish
CF (Ceiling Fixture)	BAN (Bancroft)	BRB (Brushed Brass)	HM04 (4" Diameter Hemisphere)	AZL (Azure Lichen)			SP03	W (White)
FM (Flush Mount)	EMM (Emmet)	BRN (Brushed Nickel)	HM07 (7" Diameter Hemisphere)	AZM (Azure Matte)	DIVL (Double Ivory Lichen)		SP04	
PD (Pendant)	DIX (Dixon)	DAB (Dark Aged Brass)	HM12 (12" Diameter Hemisphere)	BLL (Black Lichen)	DVDL (Double Verde Lichen)		SP05	
SC (Sconce)	LAW (Lawrence)	GRA (Graphite)	CN12 (12" Height Cone)	BLM (Black Matte)	FRM (Forest Matte)			
FL (Floor)	ROS (Roseland)	LAB (Light Aged Brass)	LD15 (15" Diameter Low Dome)	CHL (Chocolate Lichen)	IVL (Ivory Lichen)			
TB (Table)	CRE (Creston)	TXB (Textured Black)	TB04 (4" Short Tube)	CHM (Chocolate Matte)	IVP (Ivory Porcelain)			
		TXI (Textured Ivory)	TB08 (8" Long Tube)	DAZL (Double Azure Lichen)	NVM (Navy Matte)			
		TXW (Textured White)	AD01 (As Designed)	DBLL (Double Black Lichen)	VDL (Verde Lichen)			
				DCHL (Double Chocolate Lichen)	VDM (Verde Matte)			

Incandescent Base Lamp Specs

E12 Type T

Type	E12 Type T
Input Voltage	120
Watts Each	4.5
Lumens Each	450
Color Temperature	3000 K
Life Expectancy	3 yrs, 25,000 hours

Type	E12 Type T
Input Voltage	120
Watts Each	6.0
Lumens Each	600
Color Temperature	3000 K
Life Expectancy	3 yrs, 25,000 hours

Type	E12 Type T
Input Voltage	120
Watts Each	9.5
Lumens Each	950
Color Temperature	3000 K
Life Expectancy	3 yrs, 25,000 hours