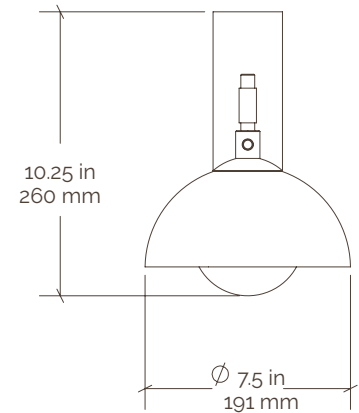
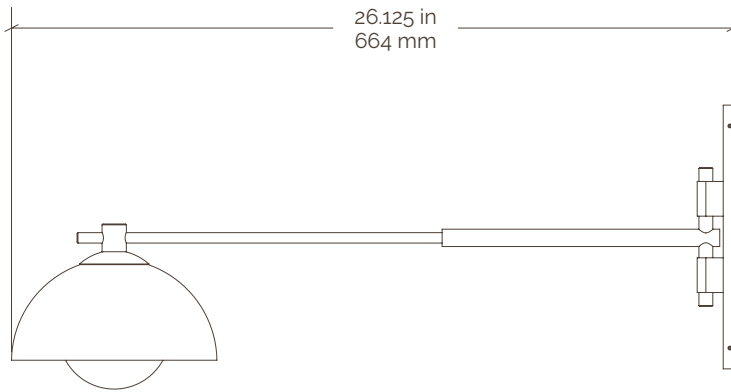




# Dixon Swing Arm Sconce

Incandescent



<b>Collection</b>	Dixon	<b>Mounting</b>	Handy box
<b>Number</b>	DIX-SC04	<b>Backplate</b>	H: 9.5 in / 241 mm W: 2.5 in / 64 mm
<b>Product</b>	Sconce	<b>Certifications</b>	UL listed / Damp
<b>Appx. Dimensions</b>	H: 10.25 in / 260 mm W: 7.5 in / 191 mm Projection: 26.125 in / 664 mm	<b>Ceramic Reflector</b>	Hm07
<b>Weight</b>	3 lbs / 6.3 kgs	<b>Glass Diffuser</b>	SP04
<b>Materials</b>	Brass & Terracotta	<b>Lamping</b>	120V / E12 Type T
<b>Finishes</b>	Available in any Pax brass & ceramic finish	<b>Lamping Spec</b>	6.0 w / 600 lm / 3000 k each
		<b>Dimming</b>	Dimmable with most incandescent and LED dimmers.

\*WALL MOUNT ONLY

**SKU Key** Finish legend available at [paxlighting.com/finishes](http://paxlighting.com/finishes)





# Specifications

## SKU Legend

XX-	XXX-	XXX-	XXXX-	XXX-	Ceramic Finish	XXXX-	X
Fixture Type	Family	Metal Finish	Ceramic	Ceramic Finish	Ceramic Finish Cont.	Diffuser Shape	Diffuser Finish
CF (Ceiling Fixture)	BAN (Bancroft)	BRB (Brushed Brass)	HM04 (4" Diameter Hemisphere)	AZL (Azure Lichen)	DIVL (Double Ivory Lichen)	SP03	W (White)
FM (Flush Mount)	EMM (Emmet)	BRN (Brushed Nickel)	HM07 (7" Diameter Hemisphere)	AZM (Azure Matte)	DVDL (Double Verde Lichen)	SP04	
PD (Pendant)	DIX (Dixon)	DAB (Dark Aged Brass)	HM12 (12" Diameter Hemisphere)	BLL (Black Lichen)	FRM (Forest Matte)	SP05	
SC (Sconce)	LAW (Lawrence)	GRA (Graphite)	CN12 (12" Height Cone)	BLM (Black Matte)	IVL (Ivory Lichen)		
FL (Floor)	ROS (Roseland)	LAB (Light Aged Brass)	LD15 (15" Diameter Low Dome)	CHL (Chocolate Lichen)	IVP (Ivory Porcelain)		
TB (Table)	CRE (Creston)	TXB (Textured Black)	TB04 (4" Short Tube)	CHM (Chocolate Matte)	NVM (Navy Matte)		
		TXI (Textured Ivory)	TB08 (8" Long Tube)	DAZL (Double Azure Lichen)	VDL (Verde Lichen)		
		TXW (Textured White)	AD01 (As Designed)	DBLL (Double Black Lichen)	VDM (Verde Matte)		
				DCHL (Double Chocolate Lichen)			

## Incandescent Base Lamp Specs

### E12 Type T

Type	E12 Type T
Input Voltage	120
Watts Each	4.5
Lumens Each	450
Color Temperature	3000 K
Life Expectancy	3 yrs, 25,000 hours

Type	E12 Type T
Input Voltage	120
Watts Each	6.0
Lumens Each	600
Color Temperature	3000 K
Life Expectancy	3 yrs, 25,000 hours

Type	E12 Type T
Input Voltage	120
Watts Each	9.5
Lumens Each	950
Color Temperature	3000 K
Life Expectancy	3 yrs, 25,000 hours