

ATELIER ARETI

PRODUCT

Hat light 444
Floor light / Cone down

MATERIALS AND COLOUR OPTIONS

Brushed brass; nickel; powder coated metal

VERSIONS

- Brass tube; black cones (white reflector)
444OL-F01-BR01
- Brass tube; white cones (white reflector)
444OL-F01-BR02
- Brass tube; coloured cones (white reflector)
444OL-F01-BR03
- Brass tube; black cones (brass reflector)
444OL-F01-BR04
- Brass tube; white cones (brass reflector)
444OL-F01-BR05
- Brass tube; coloured cones (brass reflector)
444OL-F01-BR06
- Nickel tube; black cones (white reflector)
444OL-F01-NI01
- Nickel tube; white cones (white reflector)
444OL-F01-NI02
- Nickel tube; coloured cones (white reflector)
444OL-F01-NI03

TECHNICAL DETAILS

- 1 x E14 LED 7W max (US: E12)
- 110-230V
- IP20
- Light bulb not included

CABLE LENGTH

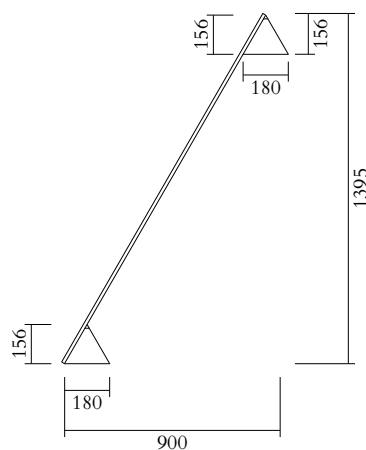
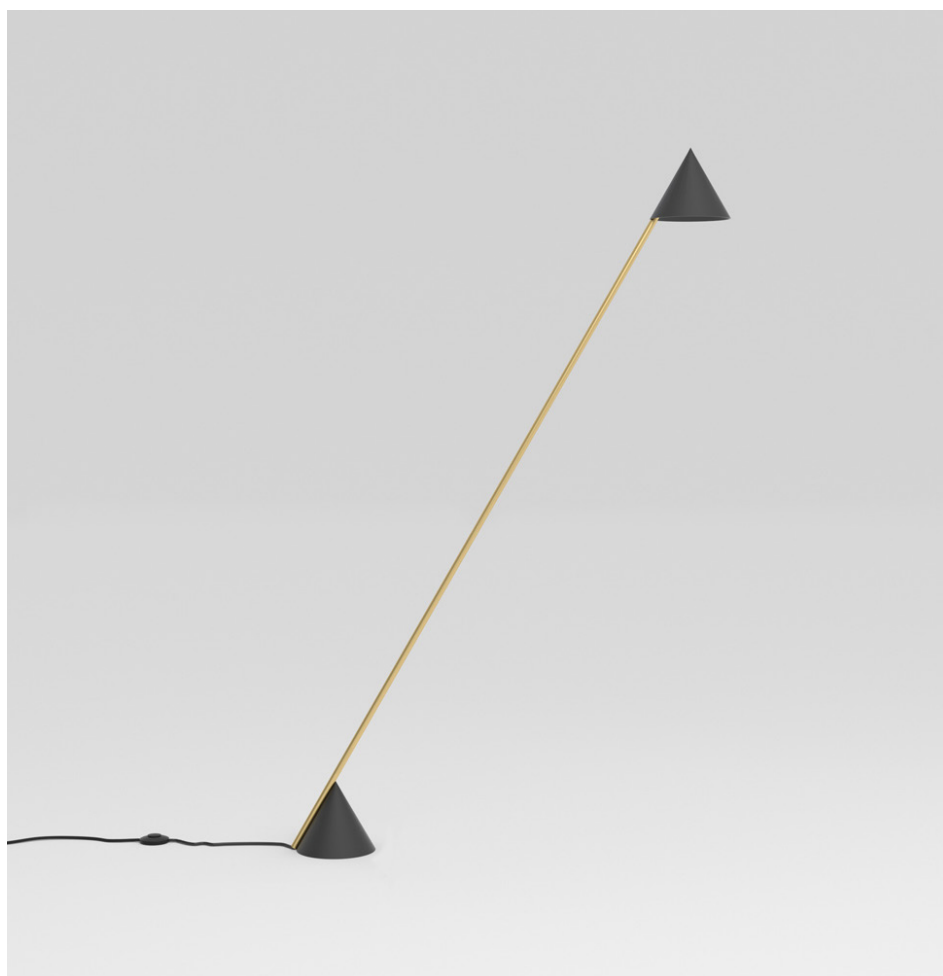
2,00 m

NOTE

Mirrored bulbs reflect a lot of heat back to the lamp holder. Depending on the space around the lamp holder, the heat might build up above the recommended temperature, especially if the heat is trapped when moving upwards. For this reason, the max wattage indicated does not apply to mirrored bulbs, but to non mirrored bulbs only. The max wattage for mirrored bulbs is 5W LED

MADE IN

Germany



Sizes in mm. Flat attachments available under request. Variations in colour and size are available for some collections, please contact Areti for more details.

Our collections are hand made and made to order, small irregularities in shape or surface will occur, they are inherent to the hand made process and should not be seen as flaws. For detailed information on any products: contact@atelierareti.com



INFO@CKSCOLLECTIVE.COM
WWW.CKSCOLLECTIVE.COM

ATELIER ARETI

PRODUCT

Hat light 444
Floor light / Cone down

MATERIALS AND COLOUR OPTIONS

Brushed brass; nickel; powder coated metal

VERSIONS

- Brass tube; black cones (white reflector)
444OL-F02-BR01
- Brass tube; white cones (white reflector)
444OL-F02-BR02
- Brass tube; coloured cones (white reflector)
444OL-F02-BR03
- Brass tube; black cones (brass reflector)
444OL-F02-BR04
- Brass tube; white cones (brass reflector)
444OL-F02-BR05
- Brass tube; coloured cones (brass reflector)
444OL-F02-BR06
- Nickel tube; black cones (white reflector)
444OL-F02-NI01
- Nickel tube; white cones (white reflector)
444OL-F02-NI02
- Nickel tube; coloured cones (white reflector)
444OL-F02-NI03

TECHNICAL DETAILS

- 1 x E14 LED 7W max (US: E12)
- 110-230V
- IP20
- Light bulb not included

CABLE LENGTH

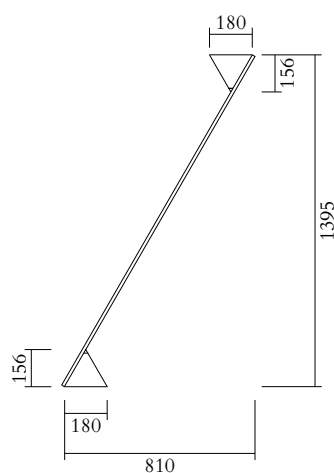
2,00 m

NOTE

Mirrored bulbs reflect a lot of heat back to the lamp holder. Depending on the space around the lamp holder, the heat might build up above the recommended temperature, especially if the heat is trapped when moving upwards. For this reason, the max wattage indicated does not apply to mirrored bulbs, but to non mirrored bulbs only. The max wattage for mirrored bulbs is 5W LED

MADE IN

Germany



Sizes in mm. Flat attachments available under request. Variations in colour and size are available for some collections, please contact Areti for more details.

Our collections are hand made and made to order, small irregularities in shape or surface will occur, they are inherent to the hand made process and should not be seen as flaws. For detailed information on any products: contact@atelierareti.com



INFO@CKSCOLLECTIVE.COM
WWW.CKSCOLLECTIVE.COM