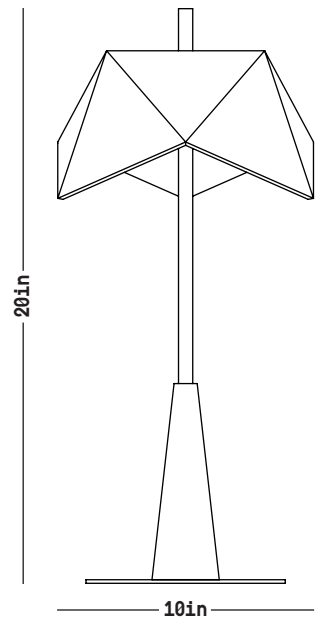


Meteor Lamp 2

- DIMENSIONS H: 20 inches
W: 10 inches
D: 10 inches
- MATERIALS Stoneware, brass, gold leaf
- STANDARD FINISHES Black, white
- ILLUMINATION [3] G8 bulbs
2.5W LED bulbs included
- LEAD TIME 10-12 weeks



WHITE LAVA



BLACK LAVA