

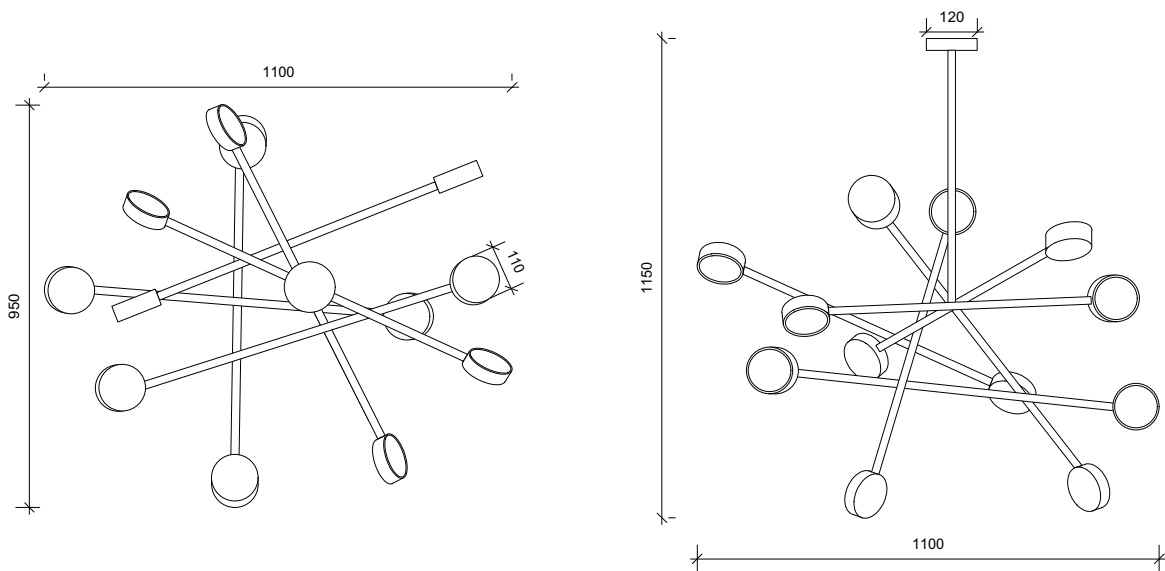


SQUARE IN CIRCLE
S T U D I O

LINE CHAOS – CHANDELIER

REF CH 032

Crafted from brushed brass metal, each pole on our chaotic chandelier was designed with flat round brass and opaque glass elements at each end. The poles are rotated randomly and connect to the other poles to form the overall shape.



MATERIAL:
Electroplated Iron/ hand brushed finish

FINISH:
Brushed brass/ white frosted glass
(Other finishes available)

DIMENSION :
Depth 950mm 37.4"
Width 1100mm 43.3"
Height 1150mm 43.3"

RECOMMENDED LAMP: G9 LED pin

WATTAGE: 5W

VOLTAGE: 220V

COLOUR : 2700 -3000K (warm white)

NET WEIGHT: 8kg 17.6lb

INFO@CKSCollective.COM



WWW.CKSCollective.COM