



GABRIEL SCOTT

EST. 2012

MYRIAD Wishbone Pendant

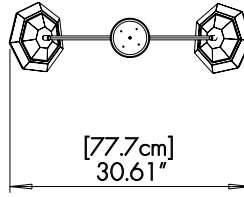
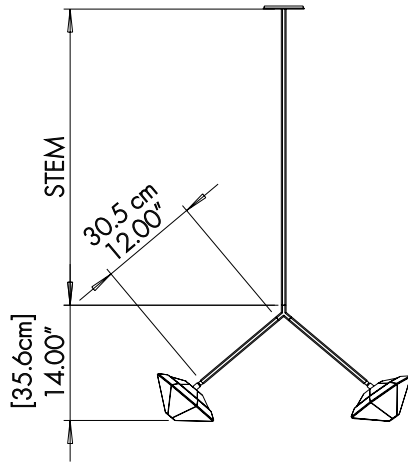
in Satin Bronze &
Alabaster White

The Myriad series is inspired by nature's bioluminescent organisms, this modular series is made up of the brand's signature doubleblown glass and satin metallic hardware. Its articulated stems carry the soft lit pivoting heads to create a delicate, asymmetric and ever changing silhouette.

These fine, jewel like fixtures are offered in assorted arrangements and available in various metal and glass finishes.

All Gabriel Scott pieces are handmade in Canada.





SPECIFICATIONS

Standard Finishes:

Blown Glass: Alabaster White

Metal: Blackened Steel, Satin Nickel, Satin Brass, Satin Copper or Satin Bronze

Specifications:

Dimensions: 9" x 30.61" x 14" H + Stem

23 cm x 78 cm x 36 cm H + Stem

Weight: 30 lbs / 13.6 kg

Light source: 12V 6 Watt LED (included)

LED Drivers: CCT13W500 - 120V
UVC25TD - 220V

Standard lead time: 12 - 14 weeks

Stems & Canopies:

Standard Stem Lengths: 6", 12", 18" or 24"

15 cm, 31 cm, 46 cm or 61 cm

Additional Stem Lengths: 30", 36", 42" or 48"

76 cm, 91 cm, 107 cm or 122 cm
(up-charge applies)

Standard Canopy: 5" x 0.5" / 12 cm x 1.3cm

Deep Canopy: Dimensions on request.

Custom finishes available upon inquiry.

Made and assembled in Canada. Item is UL & CE listed.

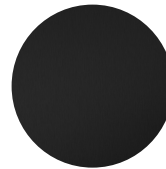
STANDARD FINISHES

Blown Glass:

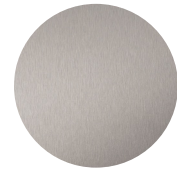


Alabaster White

Metal:



Blackened Steel



Satin Nickel



Satin Brass



Satin Copper

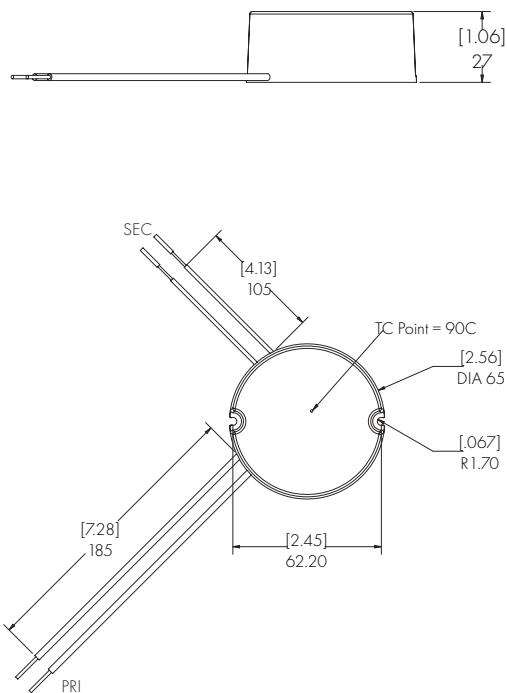


Satin Bronze

LED DRIVER

CCT13W500 - 120V

Magnitude's CCT Series dimmable Constant Current LED driver is class 2 rated and designed to operate with MLV, ELV and CL dimmer switches (forward phase/ reverse phase / TRIAC). The driver's low profile case allows OEM's to easily incorporate it into Luminaires. A 5-year warranty is a standard on all of Magnitude's products.



Features:

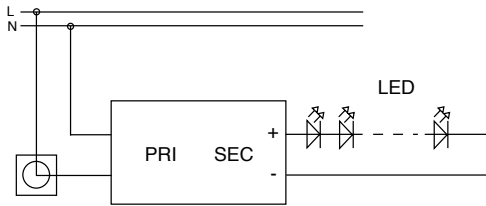
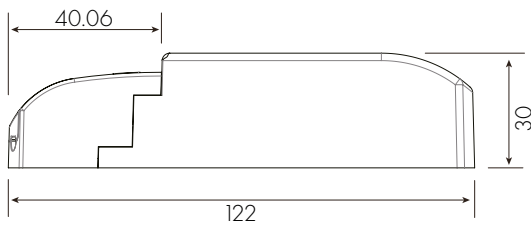
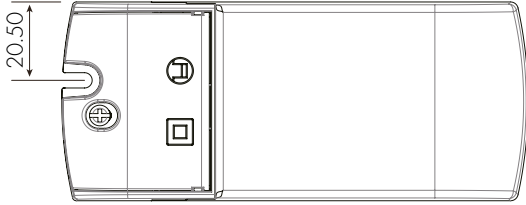
- Dimmable with MLV, ELV and CL dimmer switches (forward phase / reverse phase / TRIAC)
- Dim down to 5%
- Super compact case
- Class 2
- UL 8750
- Complies with FCC Part 15B
- Auto-Reset protection for short circuits, over-voltage and over-temperature

Specifications:

| | |
|-------------------------------|---|
| Input voltage | 100 - 120VAC |
| Max output voltage | 13W |
| Output voltage range | 18 - 26 VDC |
| Output current range | 500mA Nominal - 525 Max |
| Rated output power | 9 - 13W |
| Efficiency at max load | > 82 % |
| THD at max load | < 20 % |
| Power factor at max load | > 0.9 |
| Environment protection rating | IP21 - Dry and damp location |
| Tc case max | 77c |
| Ambient op. temp. | -20c - 60c |
| Operating humidity | 10% - 90% |
| Lifetime | 50KHrs |
| Over voltage protection | Auto recovery |
| Open circuit protection | Max output voltage |
| Short circuit protection | Auto recovery |
| Surge protection | 1KV |
| Weight | 104g |
| Dimensions (inches) | 2.56" D x 1.06" H |
| Dimensions (cm) | 6.5 cm D x 2.7 cm H |
| Placement | Designed to fit in standard 4" junction box |

LED DRIVER

UVC25TD - 220V



Features:

- Constant voltage output
- Fully isolated
- Short circuit, over current and over voltage protection up to 80% efficient
- Fire resistant plastic cover
- Compatible with leading and trailing edge dimmers
- 10 - 100% Dimming Load
- 10 - 100% Dimming range
- Mains dimmable
- Push terminals for easy installation
- IP44 design for indoor use
- 2 years warranty

Specifications:

| | |
|-----------------------|---|
| Input Voltage | 220V - 240VAC |
| Frequency | 50-60 Hz |
| Current | 0.2A |
| Inrush Current | <2.5A |
| Power Factor | 0.95 |
| Output Load Voltage | 12V |
| No Load Voltage | 12V |
| Current | 2.08Av |
| Power | 25W |
| Power Factor | > 0.95 |
| Efficiency | 80% |
| Over Load | Auto Recovery |
| Short Circuit | Auto Recovery |
| Over Voltage | Auto Recovery |
| Operating Temperature | -20 - +50°C |
| Storage Temperature | -40 - +70°C |
| Relative Humidity | 5 - 95% |
| Safety Standard | Design refers to EN60598, EN61547, ENV55024, EN61000-4-2, 3, 4, 6, 8,11, EN61000-3-2, EN61000-3-3 |
| EMI Standard | Meets Emissions to EN55022, EN55015 Class B |
| Lifetime | 50K hrs at TC max (70c) |
| Weight | 110g |
| Dimensions (inches) | 4.8" x 2" x 1.2" |
| Dimensions (cm) | 12.2 cm x 5.2 cm x 3 cm |