

ATELIER ARETI

PRODUCT

One 184
Floor light / Globe / Slanted base

MATERIALS AND COLOUR OPTIONS

Powder coated metal or brushed brass; brass joint;
white glass

VERSIONS

Brushed brass structure; brass joint	184OL-F01-BR01
Black structure; brass joint	184OL-F01-ME01
White structure; brass joint	184OL-F01-ME02

TECHNICAL DETAILS

1 x E27 LED 10W max (US: E26)
110-230V
IP20
Light bulb not included

WEIGHT

12 kg

CABLE LENGTH

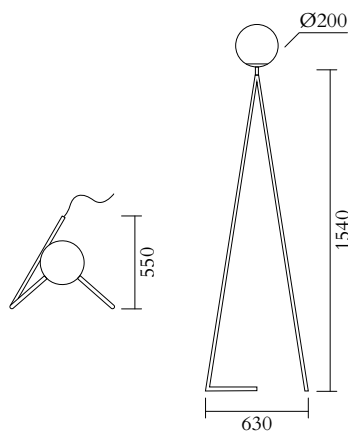
2,00 m

DIMMABLE

The standard version is not dimmable; we do however offer thr LED dimmer with Trailing edge technology upon request

MADE IN

Germany



Sizes in mm. Flat attachments available only under request. Variations in colour and size are available for some collections, please contact Areti for more details.

Our collections are hand made and made to order, small irregularities in shape or surface will occur, they are inherent to the hand made process and should not be seen as flaws. For detailed information on any products: contact@atelierareti.com

ATELIER ARETI

PRODUCT

One 184
Floor light / Globe / Cross base

MATERIALS AND COLOUR OPTIONS

Powder coated metal or brushed brass; brass joint;
white glass

VERSIONS

Brushed brass structure; brass joint 184OL-F02-BR01
Black structure; brass joint 184OL-F02-ME01
White structure; brass joint 184OL-F02-ME02

TECHNICAL DETAILS

1 x E27 LED 10W max (US: E26)
110-230V
IP20
Light bulb not included

WEIGHT

12 kg

CABLE LENGTH

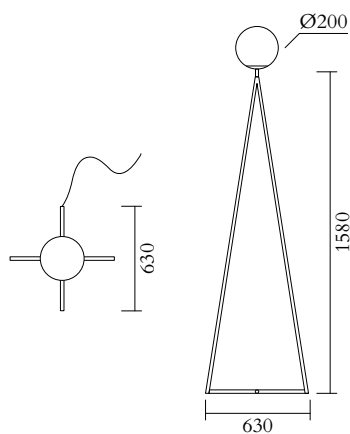
2,00 m

DIMMABLE

The standard version is not dimmable; we do however offer the LED dimmer with Trailing edge technology upon request

MADE IN

Germany



Sizes in mm. Flat attachments available only under request. Variations in colour and size are available for some collections, please contact Areti for more details.

Our collections are hand made and made to order, small irregularities in shape or surface will occur, they are inherent to the hand made process and should not be seen as flaws. For detailed information on any products: contact@atelierareti.com

ATELIER ARETI

PRODUCT

One 184
Floor light / Cone / Slanted base

MATERIALS AND COLOUR OPTIONS

Powder coated metal or brushed brass; brass joint;
white glass

VERSIONS

Brushed brass structure; brass joint	184OL-F03-BR01
Black structure; brass joint	184OL-F03-ME01
White structure; brass joint	184OL-F03-ME02

TECHNICAL DETAILS

1 x E27 LED 10W max (US: E26)
110-230V
IP20
Light bulb not included

WEIGHT

12 kg

CABLE LENGTH

2,00 m

DIMMABLE

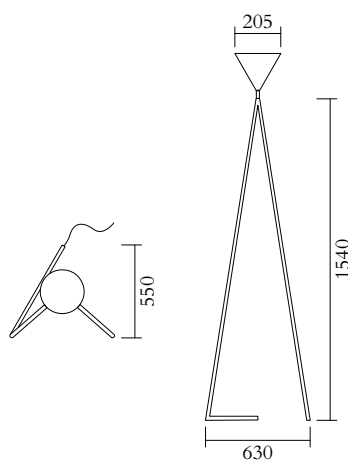
The standard version is not dimmable; we do however offer the LED dimmer with Trailing edge technology upon request

NOTE

Mirrored bulbs reflect a lot of heat back to the lamp holder. Depending on the space around the lamp holder, the heat might build up above the recommended temperature, especially if the heat is trapped when moving upwards. For this reason, the max. wattage indicated does not apply to mirrored bulbs, but to non mirrored bulbs only. If mirrored bulbs are desired, only those with a low wattage (such as LEDs) should be used. The max. wattage for mirrored bulbs is 5 watt LED (equivalent of 40 watt traditional bulb)

MADE IN

Germany



Sizes in mm. Flat attachments available only under request. Variations in colour and size are available for some collections, please contact Areti for more details.

Our collections are hand made and made to order, small irregularities in shape or surface will occur, they are inherent to the hand made process and should not be seen as flaws. For detailed information on any products: contact@atelierareti.com

ATELIER ARETI

PRODUCT

One 184
Floor light / Cone / Cross base

MATERIALS AND COLOUR OPTIONS

Powder coated metal or brushed brass; brass joint;
white glass

VERSIONS

Brushed brass structure; brass joint 184OL-F04-BR01
Black structure; brass joint 184OL-F04-ME01
White structure; brass joint 184OL-F04-ME02

TECHNICAL DETAILS

1 x E27 LED 10W max (US: E26)
110-230V
IP20
Light bulb not included

WEIGHT

12 kg

CABLE LENGTH

2,00 m

DIMMABLE

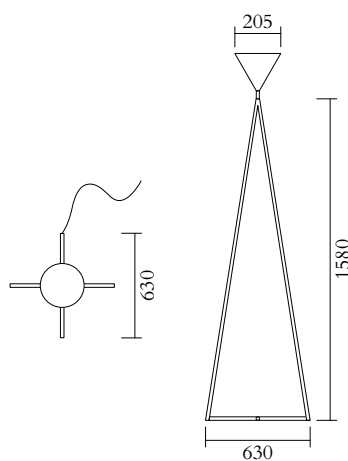
The standard version is not dimmable; we do however offer the LED dimmer with Trailing edge technology upon request

NOTE

Mirrored bulbs reflect a lot of heat back to the lamp holder. Depending on the space around the lamp holder, the heat might build up above the recommended temperature, especially if the heat is trapped when moving upwards. For this reason, the max. wattage indicated does not apply to mirrored bulbs, but to non mirrored bulbs only. If mirrored bulbs are desired, only those with a low wattage (such as LEDs) should be used. The max. wattage for mirrored bulbs is 5 watt LED (equivalent of 40 watt traditional bulb)

MADE IN

Germany



Sizes in mm. Flat attachments available only under request. Variations in colour and size are available for some collections, please contact Areti for more details.

Our collections are hand made and made to order, small irregularities in shape or surface will occur, they are inherent to the hand made process and should not be seen as flaws. For detailed information on any products: contact@atelierareti.com