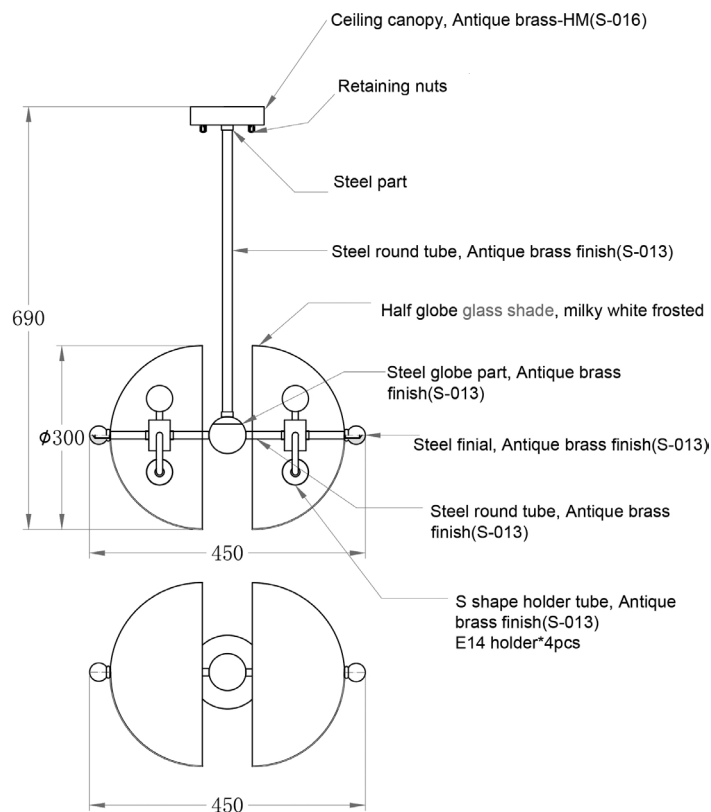


SQUARE IN CIRCLE
S T U D I O

SPLIT CIRCLE – PENDANT LIGHT

REF PL 053

Minimalistic white glass and brass pendant light. Two glass domes are attached to the brass body, allowing the light to shine from both shades, which are connected with a simple round finish. The structure is supported by a central brass round joint.



MATERIAL:
Electroplated Iron/ hand brushed finish

FINISH:
Brushed brass/ white frosted glass/

DIMENSION :
Width 450mm
Depth 300mm
Shade dia 300mm
Overall drop 690mm

RECOMMENDED LAMP: 4 x E14
WATTAGE: 3W

VOLTAGE: 230V

COLOUR : 2700K

LUMENS : 600lm

INFO@CKSCollective.COM

CKS
COLLECTIVE

WWW.CKSCollective.COM