

# ATELIER ARETI

## PRODUCT

Periscope 073

Pendant light / Sphere / Joint on ceiling attachment

## MATERIALS AND COLOUR OPTIONS

Spun powder coated metal; white glass; brass joint

## VERSIONS

Black structure 073OL-P01-ME01

White structure 073OL-P01-ME02

Colour structure 073OL-P01-ME03

## TECHNICAL DETAILS

1 x E14 LED 7W max (US: E12)

Recommended bulb size: diameter 35mm, total length 110mm (diameter must be under 40mm, length must be under 120mm)

110-230V

IP20

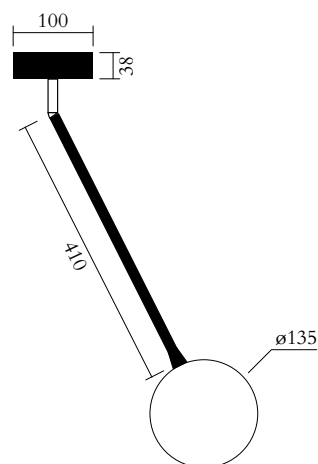
Light bulbs not included

## WEIGHT

4 kg

## MADE IN

Germany



Sizes in mm. Flat attachments available only under request. Variations in colour and size are available for some collections, please contact Areti for more details.

Our collections are hand made and made to order, small irregularities in shape or surface will occur, they are inherent to the hand made process and should not be seen as flaws. For detailed information on any products: [contact@atelierareti.com](mailto:contact@atelierareti.com)

# ATELIER ARETI

## PRODUCT

Periscope 073  
Pendant light / Sphere / Joint on globe

## MATERIALS AND COLOUR OPTIONS

Spun powder coated metal; white glass; brass joint

## VERSIONS

Black structure	073OL-P02-ME01
White structure	073OL-P02-ME02
Colour structure	073OL-P02-ME03

## TECHNICAL DETAILS

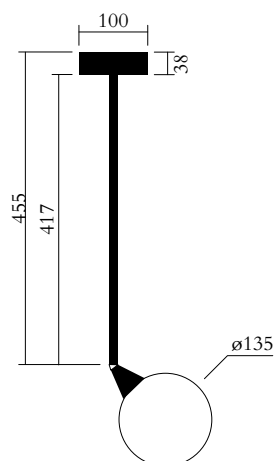
1 x E14 LED 7W max (US: E12)  
Recommended bulb size: diameter 35mm, total length  
110mm (diameter must be under 40mm, length must be  
under 120mm)  
110-230V  
IP20  
Light bulbs not included

## WEIGHT

4 kg

## MADE IN

Germany



Sizes in mm. Flat attachments available only under request. Variations in colour and size are available for some collections, please contact Areti for more details.

Our collections are hand made and made to order, small irregularities in shape or surface will occur, they are inherent to the hand made process and should not be seen as flaws. For detailed information on any products: [contact@atelierareti.com](mailto:contact@atelierareti.com)

# ATELIER ARETI

## PRODUCT

Periscope 073

Pendant light / Cone / Joint on ceiling attachment

## MATERIALS AND COLOUR OPTIONS

Spun powder coated metal; brass joint

## VERSIONS

Black structure (white reflector) 073OL-P03-ME01

White structure (white reflector) 073OL-P03-ME02

Colour structure (white reflector) 073OL-P03-ME03

Black structure (brass reflector) 073OL-P03-ME04

White structure (brass reflector) 073OL-P03-ME05

Colour structure (brass reflector) 073OL-P03-ME06

## TECHNICAL DETAILS

1 x E14 LED 7W max (US: E12)

110-230V

IP20

Light bulbs not included

## WEIGHT

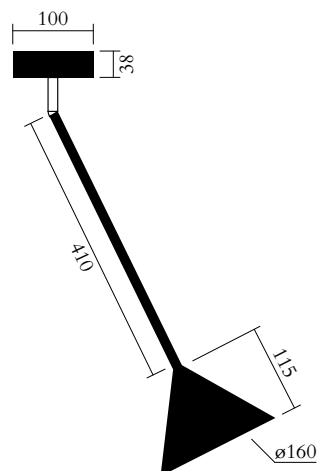
4 kg

## NOTE

Mirrored bulbs reflect a lot of heat back to the lamp holder. Depending on the space around the lamp holder, the heat might build up above the recommended temperature, especially if the heat is trapped when moving upwards. For this reason, the max. wattage indicated does not apply to mirrored bulbs, but to non mirrored bulbs only. If mirrored bulbs are desired, only those with a low wattage (such as LEDs) should be used. The max. wattage for mirrored bulbs is 5 watt LED (equivalent of 40 watt traditional bulb)

## MADE IN

Germany



Sizes in mm. Flat attachments available only under request. Variations in colour and size are available for some collections, please contact Areti for more details.

Our collections are hand made and made to order, small irregularities in shape or surface will occur, they are inherent to the hand made process and should not be seen as flaws. For detailed information on any products: [contact@atelierareti.com](mailto:contact@atelierareti.com)

# ATELIER ARETI

## PRODUCT

Periscope 073  
Pendant light / Cone / Joint on cone

## MATERIALS AND COLOUR OPTIONS

Spun powder coated metal; brass joint

## VERSIONS

Black structure (white reflector) 073OL-P04-ME01  
White structure (white reflector) 073OL-P04-ME02  
Colour structure (white reflector) 073OL-P04-ME03  
Black structure (brass reflector) 073OL-P04-ME04  
White structure (brass reflector) 073OL-P04-ME05  
Colour structure (brass reflector) 073OL-P04-ME06

## TECHNICAL DETAILS

1 x E14 LED 7W max (US: E12)  
110-230V  
IP20  
Light bulbs not included

## WEIGHT

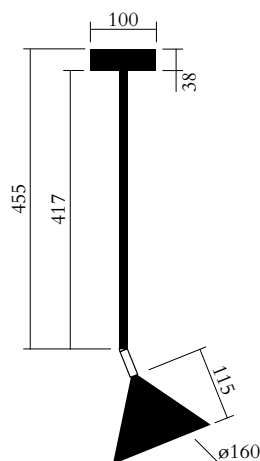
4 kg

## NOTE

Mirrored bulbs reflect a lot of heat back to the lamp holder. Depending on the space around the lamp holder, the heat might build up above the recommended temperature, especially if the heat is trapped when moving upwards. For this reason, the max. wattage indicated does not apply to mirrored bulbs, but to non mirrored bulbs only. If mirrored bulbs are desired, only those with a low wattage (such as LEDs) should be used. The max. wattage for mirrored bulbs is 5 watt LED (equivalent of 40 watt traditional bulb)

## MADE IN

Germany



Sizes in mm. Flat attachments available only under request. Variations in colour and size are available for some collections, please contact Areti for more details.

Our collections are hand made and made to order, small irregularities in shape or surface will occur, they are inherent to the hand made process and should not be seen as flaws. For detailed information on any products: [contact@atelierareti.com](mailto:contact@atelierareti.com)