

ATELIER ARETI

PRODUCT

Rotation 437
Pendant light / 3 elements

MATERIALS AND COLOUR OPTIONS

Powder coated metal; glass lens

VERSIONS

| | |
|--------------------|----------------|
| Black structure | 437OL-P01-ME01 |
| White structure | 437OL-P01-ME02 |
| Coloured structure | 437OL-P01-ME03 |

TECHNICAL DETAILS

Built in LED 5 x 6,6W
Input voltage EU: 230V
Input voltage US: 110V
Output voltage: 24V
2700K
IP20

CABLE LENGTH

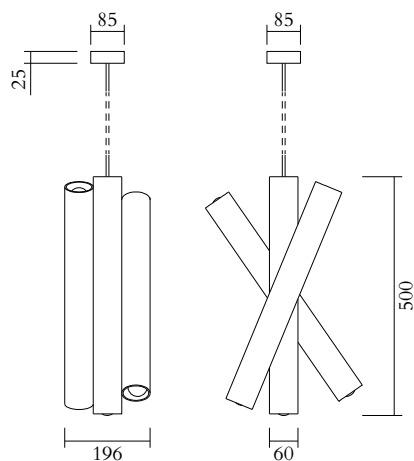
1,50 m

NOTE

Built in LED light source can be changed by Atelier Areti or a qualified workshop only

MADE IN

Germany



Sizes in mm. Flat attachments available under request. Variations in colour and size are available for some collections, please contact Areti for more details.

Our collections are hand made and made to order, small irregularities in shape or surface will occur, they are inherent to the hand made process and should not be seen as flaws. For detailed information on any products: contact@atelierareti.com

ATELIER ARETI

PRODUCT

Rotation 437
Pendant light / 5 elements

MATERIALS AND COLOUR OPTIONS

Powder coated metal; glass lens

VERSIONS

| | |
|--------------------|----------------|
| Black structure | 437OL-P02-ME01 |
| White structure | 437OL-P02-ME02 |
| Coloured structure | 437OL-P02-ME03 |

TECHNICAL DETAILS

Built in LED 8 x 6,6W
Input voltage EU: 230V
Input voltage US: 110V
Output voltage: 24V
2700K
IP20

CABLE LENGTH

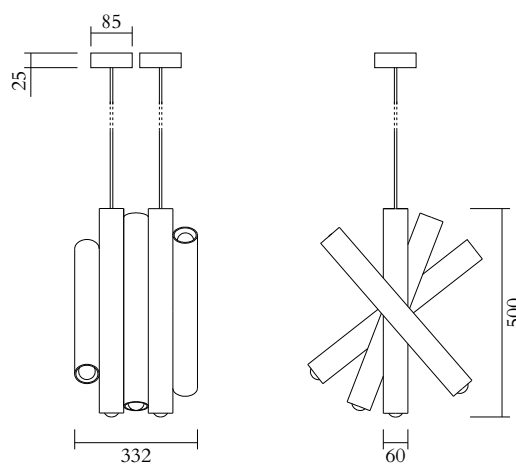
1,50 m

NOTE

Built in LED light source can be changed by Atelier Areti or a qualified workshop only

MADE IN

Germany



Sizes in mm. Flat attachments available under request. Variations in colour and size are available for some collections, please contact Areti for more details.

Our collections are hand made and made to order, small irregularities in shape or surface will occur, they are inherent to the hand made process and should not be seen as flaws. For detailed information on any products: contact@atelierareti.com