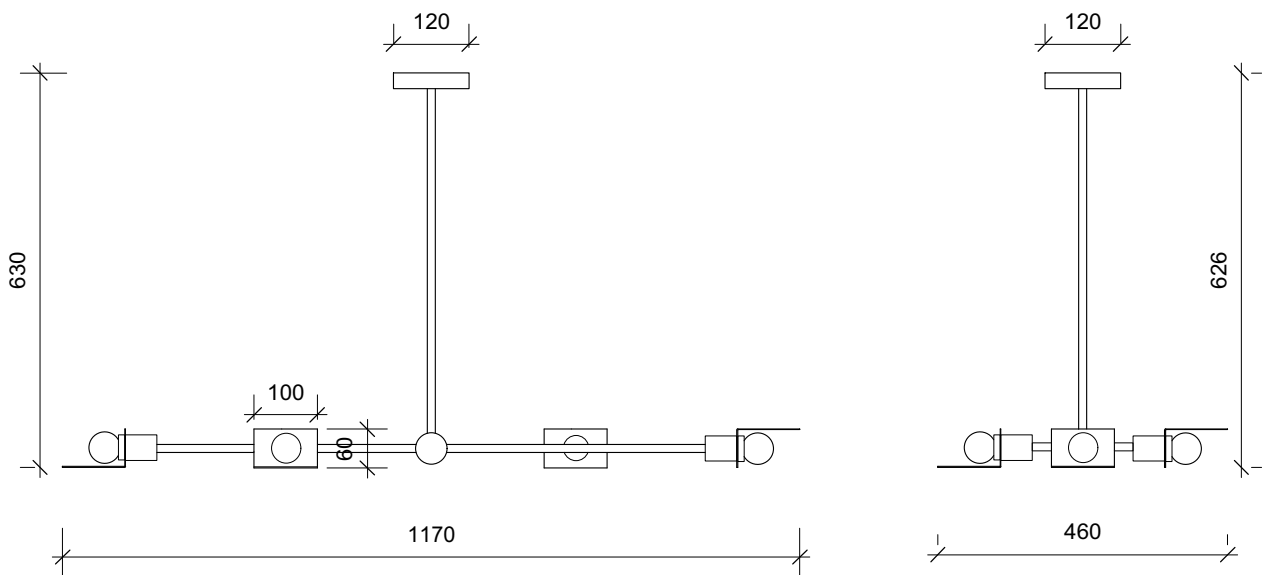


SQUARE IN CIRCLE
S T U D I O

ROUTE I – PENDANT LIGHT

REF PL 016

An ambitious linear pendant displaying geometric semicircular metal shades with returns. This four-armed compass pendant has four shades; one at the tip of each arm. The pendant is crafted from two tone metal, shown in brushed brass and a grey brushed metal.



MATERIAL:
Electroplated Iron/ hand brushed finish

FINISH:
Brushed brass/ brushed grey metal
(Other finishes available)

DIMENSION :
Height 630mm 25.6"
Width 460mm 18"
Length 1170mm 46"
Shade 100mm x 60mm 4" x 2.3"

RECOMMENDED LAMP: 4 x Golf Bulb,
LED, E14

WATTAGE: 5W

COLOUR : 3000K (warm white)

VOLTAGE: 230V

NET WEIGHT: 3.57kg 7.8lb

INFO@CKSCollective.COM



WWW.CKSCollective.COM