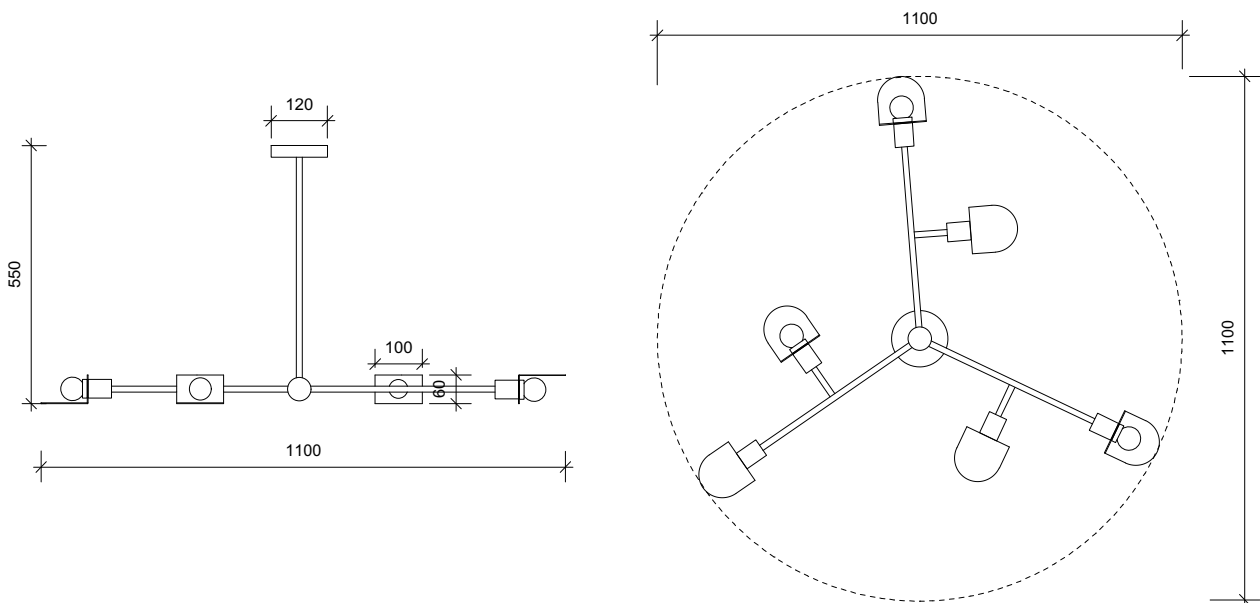


SQUARE IN CIRCLE  
S T U D I O

## ROUTE II – CHANDELIER

REF CH 017

An ambitious chandelier with geometric semicircular metal shades with returns crafted from metal. This three - armed chandelier has six shades; three at the tip of each arm and three projecting from the halfway points, representing the direction of travel. The pendant is crafted from two tone metal, shown in brushed brass and a dark grey brushed metal.



MATERIAL:  
Electroplated Iron/ hand brushed finish

FINISH:  
Brushed brass/ brushed grey metal  
(Other finishes available)

DIMENSION :  
Diameter 1100mm 43.3"  
Overall Height 550mm 21.6"  
Shade 100mm x 60mm 4" x 2.3"

RECOMMENDED LAMP:

6 x Golf Bulb, LED, 240V, 5W, E14 Edison  
screw

VOLTAGE: 230V

NET WEIGHT: 3.24kg 7.2lb

INFO@CKSCollective.COM



WWW.CKSCollective.COM