

ATELIER ARETI

PRODUCT

Row 203
Pendant light / Rounded / Fabric cable

MATERIALS AND COLOUR OPTIONS

Brushed brass; powder coated metal; white glass

VERSIONS

Brushed brass structure and plates; white cables

203OL-P02-BR01

Black structure and plates; black cables

203OL-P02-ME01

White structure and plates; white cables

203OL-P02-ME02

Black structure; brushed brass plates; black cables

203OL-P02-ME03

White structure; brushed brass plates; white cables

203OL-P02-ME04

TECHNICAL DETAILS

10 x G9 LED 5W max

Recommended bulb size: diameter 16mm, total length
47mm (diameter must be under 20 mm)

110-230V

IP20

Light bulbs not included

WEIGHT

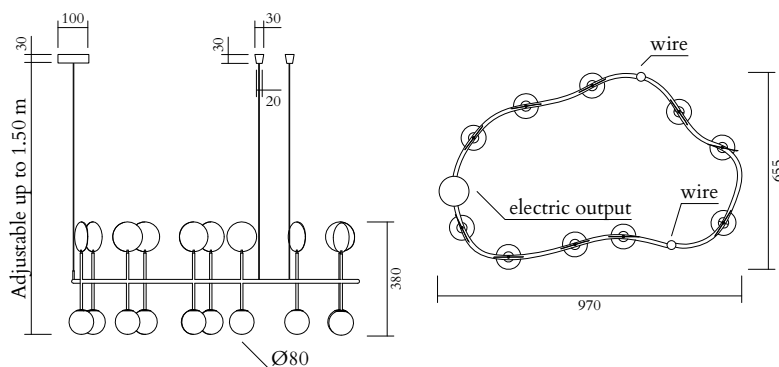
35 kg

CABLE LENGTH

Standard size cable 1.5 m, with adjustable fabric covered
cable

MADE IN

Germany



Sizes in mm. Flat attachments available only under request. Variations in colour and size are available for some collections, please contact Areti for more details.

Our collections are hand made and made to order, small irregularities in shape or surface will occur, they are inherent to the hand made process and should not be seen as flaws. For detailed information on any products: contact@atelierareti.com

ATELIER ARETI

PRODUCT

Row 203
Pendant light / Rounded / Metal tube

MATERIALS AND COLOUR OPTIONS

Brushed brass; powder coated metal; white glass

VERSIONS

Brushed brass structure and plates	203OL-P04-BR01
Black structure and plates	203OL-P04-ME01
White structure and plates	203OL-P04-ME02
Black structure; brushed brass plates	203OL-P04-ME03
White structure; brushed brass plates	203OL-P04-ME04

TECHNICAL DETAILS

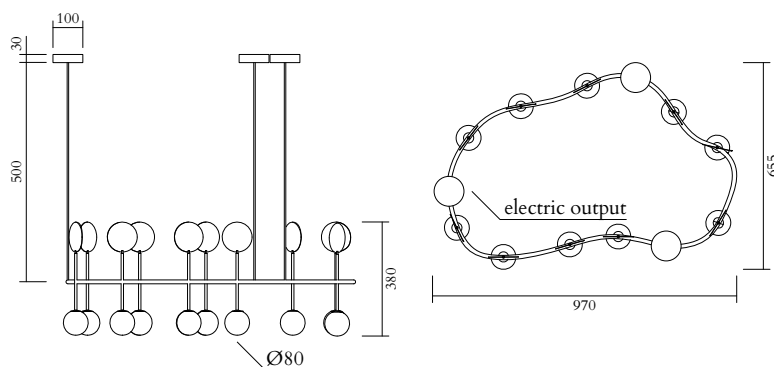
10 x G9 LED 5W max
Recommended bulb size: diameter 16mm, total length
47mm (diameter must be under 20 mm)
110-230V
IP20
Light bulbs not included

WEIGHT

35 kg

MADE IN

Germany



Sizes in mm. Flat attachments available only under request. Variations in colour and size are available for some collections, please contact Areti for more details.

Our collections are hand made and made to order, small irregularities in shape or surface will occur, they are inherent to the hand made process and should not be seen as flaws. For detailed information on any products: contact@atelierareti.com