

ADAM OTLEWSKI



SERIES 01 DOWNWARD ELECTROLIER

Solid machined brass, soft hand-dyed waxed leather shades, patinated copper tension wire with fabric cord. The opaque nature of leather creates an overall effect of directed ambient lighting well suited for over tables and dining areas. Hanging length variable, specified at the time of order.

17"H x 19" Overall Dia., Variable length

Mounts to any standard 4" ceiling junction box, crossbar included. To be installed only by a licensed electrician.

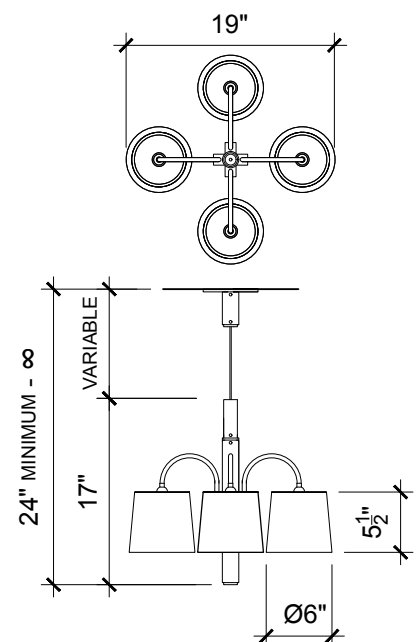
All material finishes are living finishes: they will change and patina for the better with time and use. Every product is individually hand assembled; slight variations in color, size and shape are to be expected. Recommended bulb "LED 40 Watt Equivalent G16 Globe 2700k Dimmable" included. LED bulb only.

QTY 4 E26 keyless sockets.

Not suitable for damp locations.

Lead time approx. 8 weeks.

UL certification, as well as custom sizing, configurations and finishes are available upon request.



ADAM OTLEWSKI



SERIES 01 UPRIGHT ELECTROLIER

Solid machined brass, soft hand-dyed waxed leather shades, patinated copper tension wire with fabric cord. The opaque nature of leather creates an overall effect of directed ambient lighting well suited for over tables and dining areas. Hanging length variable, specified at the time of order.

17"H x 19" Overall Dia., Variable length

Mounts to any standard 4" ceiling junction box, crossbar included. To be installed only by a licensed electrician.

All material finishes are living finishes: they will change and patina for the better with time and use. Every product is individually hand assembled; slight variations in color, size and shape are to be expected. Recommended bulb "LED 40 Watt Equivalent E26 Torpedo 2700k Dimmable" included. LED bulb only.

QTY 4 E26 keyless sockets.

Not suitable for damp locations.

Lead time approx. 8 weeks.

UL certification, as well as custom sizing, configurations and finishes are available upon request.

