

# ADAM OTLEWSKI



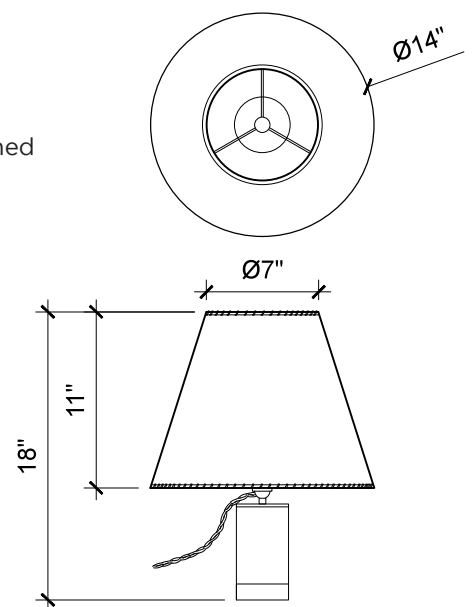
## SERIES 02 TABLE LAMP

Solid machined brass, hand-stitched goatskin parchment shade, with hand-dyed braided cotton cord. Goatskin parchment is an excellent diffuser of light and is naturally figured and textured, similar to the surface of the moon. Base is lathe turned from a heavy solid ingot of brass for stability, machined flush into the cylindrical housing. Base can be lifted off the solid ingot revealing a secret storage location.

18"H x 14"Diameter

All material finishes are living finishes: they will change and patina for the better with time and use. Every product is individually hand assembled; slight variations in color, size and shape are to be expected. Recommended bulb "LED 60 Watt Equivalent G18-1/2 Globe 2700k Dimmable" included. LED bulb only. E26 socket with single turn key. Not suitable for damp locations. Lead time approx. 8 weeks.

*UL certification, as well as custom sizing, configurations and finishes are available upon request.*



# ADAM OTLEWSKI

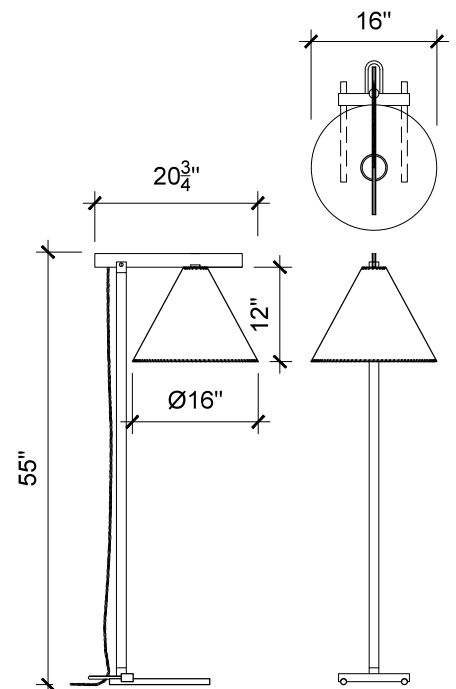


## SERIES 02 FLOOR LAMP

Solid machined brass, handstitched goatskin parchment shade, with hand-dyed braided cotton cord. Goatskin parchment is an excellent diffuser of light and is naturally figured and textured, similar to the surface of the moon. Shade arm can be pivoted in any direction. Meticulously crafted with interlocking machined-to-fit components with a strong geometric presence.

55"H x 20-3/4"D x 16"W

All material finishes are living finishes: they will change and patina for the better with time and use. Every product is individually hand assembled; slight variations in color, size and shape are to be expected. Recommended bulb "LED 60 Watt Equivalent G18-1/2 Globe 2700k Dimmable" included. LED bulb only.  
E26 keyless socket with foot switch.  
Not suitable for damp locations.  
Lead time approx. 8 weeks.  
*UL certification, as well as custom sizing, configurations and finishes are available upon request.*



# ADAM OTLEWSKI



## SERIES 02 FLOOR LAMP WITH LEATHER-WRAPPED DRINK TRAY

Solid machined brass, handstitched goatskin parchment shade, with hand-dyed braided cotton cord. Goatskin parchment is an excellent diffuser of light and is naturally figured and textured, similar to the surface of the moon. Shade arm can be pivoted in any direction. Meticulously crafted with interlocking machined-to-fit components with a strong geometric presence. Leather-wrapped hand-dyed leather drink tray is height adjustable.

55"H x 20-3/4"D x 16"W, Drink tray 11" x 8.5" Height adjustable

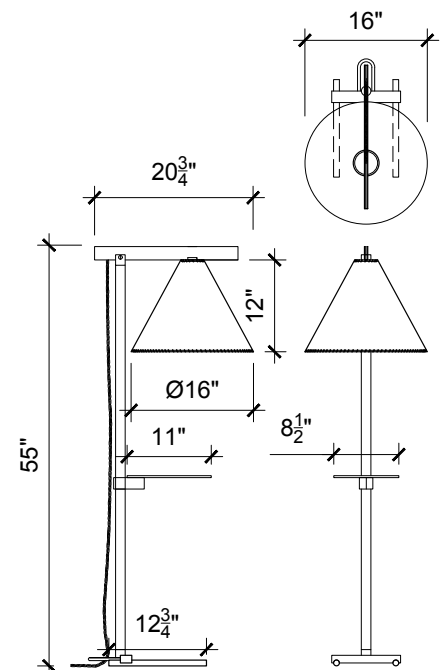
All material finishes are living finishes: they will change and patina for the better with time and use. Every product is individually hand assembled; slight variations in color, size and shape are to be expected. Recommended bulb "LED 60 Watt Equivalent G18-1/2 Globe 2700k Dimmable" included. LED bulb only.

E26 keyless socket with cord switch.

Not suitable for damp locations.

Lead time approx. 8 weeks.

*UL certification, as well as custom sizing, configurations and finishes are available upon request.*



# ADAM OTLEWSKI



## SERIES 02 FLOOR LAMP WITH GLASS GLOBE

Solid machined brass, handstitched goatskin parchment shade, with hand-dyed braided cotton cord. White glass globe with dimmer switch on cord. Shade arm can be pivoted in any direction. Meticulously crafted with interlocking machined-to-fit components with a strong geometric presence.

54"H x 23-3/8"D x 9"W

All material finishes are living finishes: they will change and patina for the better with time and use. Every product is individually hand assembled; slight variations in color, size and shape are to be expected. Recommended bulb "LED 60 Watt Equivalent G18-1/2 Globe 2700k Dimmable" included. LED bulb only.  
E26 keyless socket with cord switch.  
Not suitable for damp locations.  
Lead time approx. 8 weeks.  
*UL certification, as well as custom sizing, configurations and finishes are available upon request.*

