

ADAM OTLEWSKI

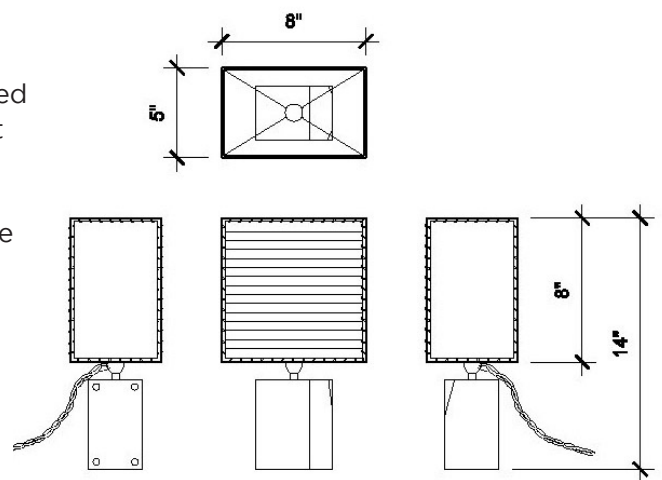


SERIES 03 TABLE LAMP

Sculpted solid brass in “smoke” acid patinated finish, machined and mechanically fastened. handstitched goatskin parchment shade, with hand-dyed braided cotton cord. Goatskin parchment is an excellent diffuser of light and is naturally figured and textured, similar to the surface of the moon. Base is hand sculpted from a solid ingot of brass. Petite in size for a desk or a small end table.

14”H x 5”D x 8” W

All material finishes are living finishes: they will change and patina for the better with time and use. Every product is individually hand assembled; slight variations in color, size and shape are to be expected. Recommended bulb “LED 40 Watt Equivalent G16 Globe 2700k Dimmable” included. LED bulb only.
E26 socket with single turn key.
Not suitable for damp locations.
Lead time approx. 8 weeks.
UL certification, as well as custom sizing, configurations and finishes are available upon request.



ADAM OTLEWSKI



SERIES 03 TABLE LAMP WITH ROUND SHADE

Sculpted solid brass in “smoke” acid patinated finish, machined and mechanically fastened. handstitched goatskin parchment shade, with hand-dyed braided cotton cord. Goatskin parchment is an excellent diffuser of light and is naturally figured and textured, similar to the surface of the moon. Base is hand sculpted from a solid ingot of brass. Slightly larger in scale compared to the rectangular shade version. 17”H x 14”D, Shade 14” Dia. x 10”H

All material finishes are living finishes: they will change and patina for the better with time and use. Every product is individually hand assembled; slight variations in color, size and shape are to be expected. Recommended bulb “LED 40 Watt Equivalent G16 Globe 2700k Dimmable” included. LED bulb only.
E26 socket with single turn key.
Not suitable for damp locations.
Lead time approx. 8 weeks.
UL certification, as well as custom sizing, configurations and finishes are available upon request.

