

# Silo 16



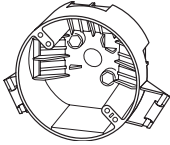
Shown in **Matte Black** with a **Frosted Solid Glass Light Disc** and **Frosted 16" Diameter Glass Vessel**

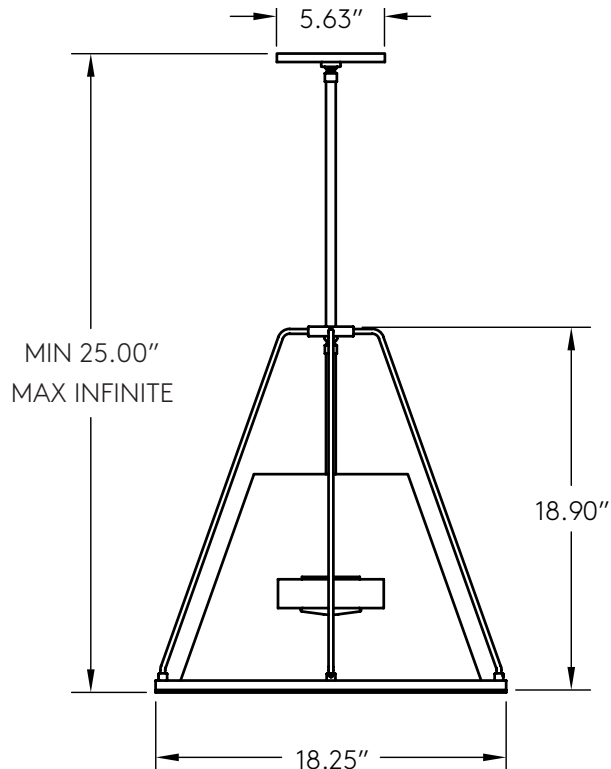


[INFO@CKSCOLLECTIVE.COM](mailto:INFO@CKSCOLLECTIVE.COM)  
[WWW.CKSCOLLECTIVE.COM](http://WWW.CKSCOLLECTIVE.COM)

# Silo 16



| AVAILABLE OPTIONS                                                                                                                                                                                                                                                                                                                                                                                                                                                                                                                                                                            | DIMENSIONS                                                                                                                                                                                                                                                                                                                                                                                                                                                                                            | LAMPING & INFORMATION                                                                                                                                                                                                                                                                                                                                                                                                                                                                                                                                                    |
|----------------------------------------------------------------------------------------------------------------------------------------------------------------------------------------------------------------------------------------------------------------------------------------------------------------------------------------------------------------------------------------------------------------------------------------------------------------------------------------------------------------------------------------------------------------------------------------------|-------------------------------------------------------------------------------------------------------------------------------------------------------------------------------------------------------------------------------------------------------------------------------------------------------------------------------------------------------------------------------------------------------------------------------------------------------------------------------------------------------|--------------------------------------------------------------------------------------------------------------------------------------------------------------------------------------------------------------------------------------------------------------------------------------------------------------------------------------------------------------------------------------------------------------------------------------------------------------------------------------------------------------------------------------------------------------------------|
| <p>Base..... Brass<br/>                     Pewter<br/>                     Matte Black<br/>                     Matte White</p> <p>Premium 1 ..... Aged Brass<br/>                     August Brass<br/>                     Black Brass<br/>                     Aged Pewter</p> <p>Premium 2..... Brushed Nickel<br/>                     Two-Tone Finish</p> <p>Glass Vessel ..... Clear<br/>                     Frosted</p> <p>Glass Disc..... Clear<br/>                     Frosted</p> <p>Temperature ..... 2400K<br/>                     2700K<br/>                     3000K</p> | <p>Canopy Diameter ..... 5.625"<br/>                     Diameter..... 18.25"<br/>                     Vessel Diameter ..... 16.00"<br/>                     Body Height ..... 18.90"<br/>                     Minimum Height..... 25.00"<br/>                     Maximum Height..... Infinite</p> <p>Weight ..... 17 lbs</p> <p>Driver is designed to be housed inside a standard round ceiling junction box.</p>  | <p>18 watt led 150 watt total incandescent<br/>                     1500 Lumen<br/>                     Onboard Driver and LED Module<br/>                     LED life of 50,000 hours 27 years of normal use<br/>                     110V-277V compatible</p> <p>UL listing file #E505276<br/>                     Product is made to order<br/>                     Compatible with LED Dimmer Switches<br/>                     Rated for Damp Locations</p> <p>Custom abilities and options available.<br/>                     Please inquire sales@riloh.com</p> |



INFO@CKSCOLLECTIVE.COM  
 WWW.CKSCOLLECTIVE.COM