

Silo 20



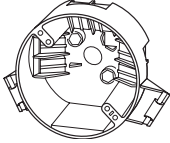
Shown in **Brass** with a **Frosted Solid Glass Light Disc** and **20" Diameter Glass Vessel**

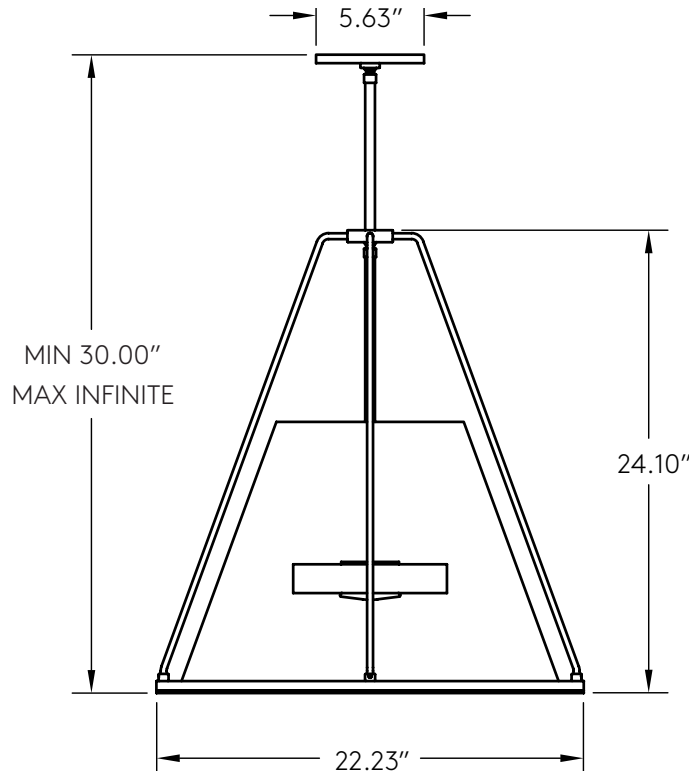


INFO@CKSCOLLECTIVE.COM
WWW.CKSCOLLECTIVE.COM

Silo 20



AVAILABLE OPTIONS	DIMENSIONS	LAMPING & INFORMATION
<p>Base..... Brass Pewter Matte Black Matte White</p> <p>Premium 1 Aged Brass August Brass Black Brass Aged Pewter</p> <p>Premium 2..... Brushed Nickel Two-Tone Finish</p> <p>Glass Vessel Clear Frosted</p> <p>Glass Disc..... Clear Frosted</p> <p>Temperature 2400K 2700K 3000K</p>	<p>Canopy Diameter 5.625" Diameter..... 22.23" Vessel Diameter 20.00" Body Height 24.10" Minimum Height..... 30.00" Maximum Height..... Infinite</p> <p>Weight 22 lbs</p> <p>Driver is designed to be housed inside a standard round ceiling junction box.</p> 	<p>18 watt led 150 watt total incandescent 1500 Lumen Onboard Driver and LED Module LED life of 50,000 hours 27 years of normal use 110V-277V compatible</p> <p>UL listing file #E505276 Product is made to order Compatible with LED Dimmer Switches Rated for Damp Locations</p> <p>Custom abilities and options available. Please inquire sales@riloh.com</p>



INFO@CKSCOLLECTIVE.COM
 WWW.CKSCOLLECTIVE.COM