

MARC WOOD



Our debut lighting collection comprising ceiling pendants, a side light and a floor standing lamp.

Handmade in Bohemia and London the collection draws upon our love for Czech artisan glass work and British engineered detailing.

Designed with light-play in mind, the highly prized double walled borosilicate glass shade sparkles with colour as it refracts the rays passing through, emitting a warm playful glow that looks different from every angle.

Pleated Crystal cluster, smoke - 5 piece

Dimensions cm

DIA 70cm X H 100cm

Height adjustment can be made on site

Dimensions inch

DIA 27.5in X H 39.4in

Height adjustment can be made on site

Material

Glass + Metal

Finishes - glass

Clear

Smoke

Weight

7.5kg kg/16.5 lbs

Finishes - metal

Brushed brass, Brushed nickel

Blackened steel

Suspension

Black flex, fabric covered, 2m.

Canopy

White as standard. Bespoke colours available

Can be inset or surface mounted

240V Illumination

E26/27 LED Goofball (x5)

Wattage: 4 (40 equivalent) (x5)

Lumens: 260lm (x5)

Colour Temperature: 2700

Dimmable: LED dimmer required

120V illumination

E26/27 LED Goofball (x5)

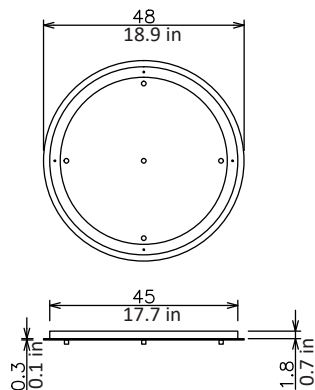
Wattage: 4 (40 equivalent) (x5)

Lumens: 260lm (x5)

Colour Temperature: 2700

Dimmable: LED dimmer required

Ceiling plate



Cluster

