

MARC WOOD



Our debut lighting collection comprising ceiling pendants, a side light and a floor standing lamp.

Handmade in Bohemia and London the collection draws upon our love for Czech artisan glass work and British engineered detailing.

Designed with light-play in mind, the highly prized double walled borosilicate glass shade sparkles with colour as it refracts the rays passing through, emitting a warm playful glow that looks different from every angle.

Pleated Crystal wall light, smoke

Dimensions cm

Small - w 200mm x h 260mm x d 289mm
medium - w 250mm x h 299mm x d 354mm
large - w 300mm x h 325mm x d 425mm

Dimensions inch

Small - w 7.9in x h 10.2in x d 11.3in
medium - w 9.8in x h 11.8in x d 13.9in
large - w 11.8in x h 12.7in x d 16.7in

Material

Glass + Metal

Finishes - glass

Clear
Smoke

Weight

1.5 kg/3.3lb

Finishes - metal

Brushed brass, Brushed nickel
Blackened steel

Suspension

None

Canopy

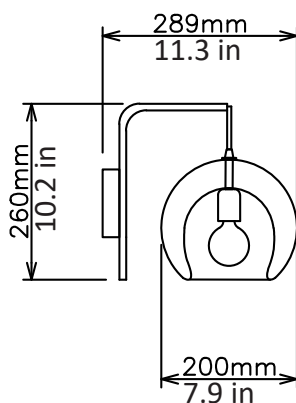
Metal wall cup in matching finish
10cm/ 3.9in x 3cm/1.1in

240V Illumination

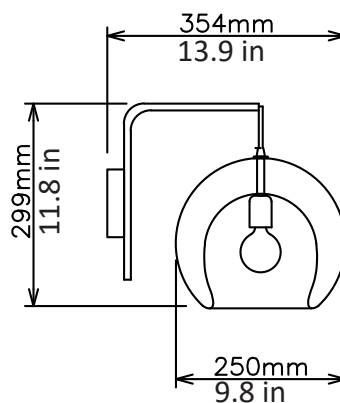
E26/27 LED Golf-ball
Wattage: 4 (40 equivalent)
Lumens: 260lm
Colour Temperature: 2700k
Dimmable: LED dimmer required

120V illumination

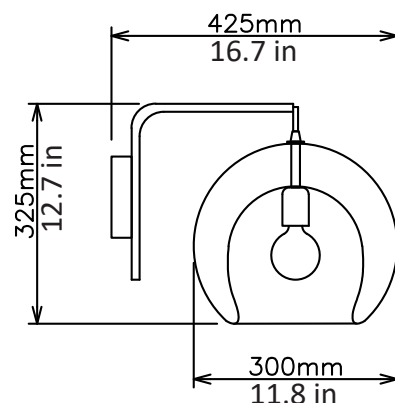
E26/27 LED Golf-ball
Wattage: 4 (40 equivalent)
Lumens: 260lm
Colour Temperature: 2700k
Dimmable: LED dimmer required



SMALL



MEDIUM



LARGE