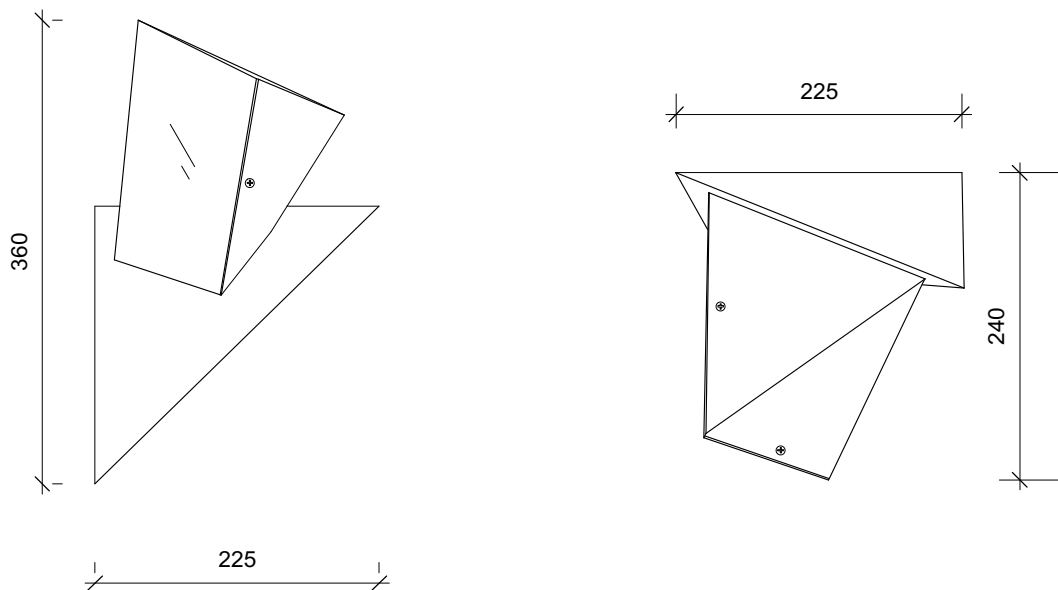


SQUARE IN CIRCLE
S T U D I O

TRIANGULAR PRISM II – WALL LIGHT

REF WL 025

This wall light has been designed from two triangular prisms angled together to give an impression of careful balance. One prism has a brushed brass finish with a diffuser to one side. The other prism is a brushed grey metal and functions as a back plate. The light source gives a smooth, subtle glow.



MATERIAL:		RECOMMENDED LAMP:	G9 LED pin
Electroplated Iron/ hand brushed finish			
FINISH:		WATTAGE:	3W
Brushed brass/ brushed grey metal/ white frosted perspex		VOLTAGE:	230V
(Other finishes available)		COLOUR :	3000K
DIMENSION :		NET WEIGHT:	2kg 4.4lb
Height	360mm		
Width	225mm		
Base dia	240mm		

INFO@CKSCollective.COM



WWW.CKSCollective.COM

© All lighting designs in this document are owned by Square in Circle Studio Ltd and are strictly copyright.
Any attempt to reproduce these designs could result in legal action.