

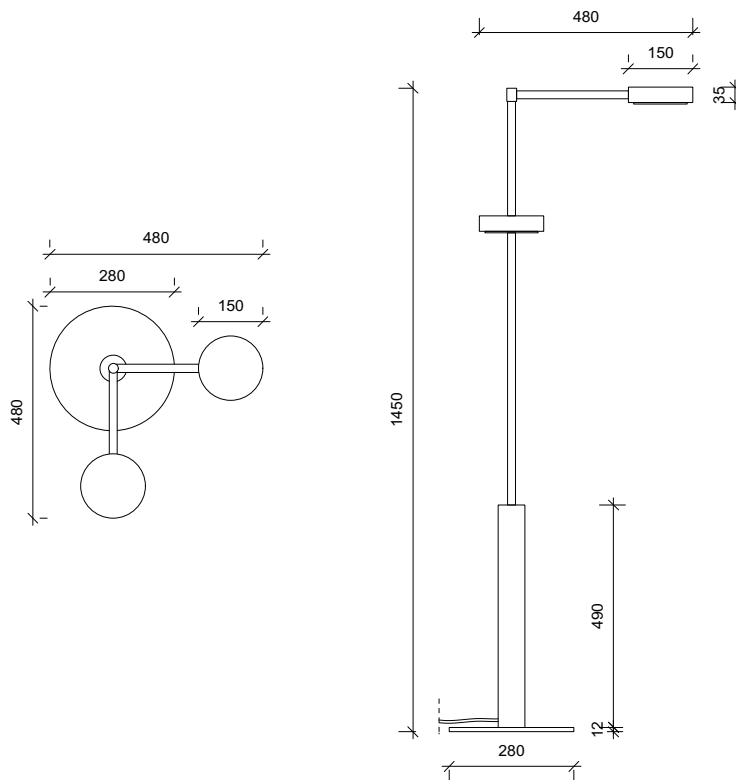


SQUARE IN CIRCLE  
S T U D I O

## TWO CYLINDERS – FLOOR LAMP

REF FL 036

This floor lamp is crafted from a brushed grey cylindrical base. It's two arms extend vertically above the base, branching in different directions. Both arms are connected to the central pole via cylindrical joints. The shades at the top of each arm are crafted from brushed grey metal, complete with opaque diffusers.



### MATERIAL:

Electroplated Iron/ hand brushed finish

LIGHT SOURCE: Integrated LED module

### FINISH:

Dark brushed grey metal/ brushed brass/ opal white diffuser  
(Other finishes available)

WATTAGE: 2 x 7W

VOLTAGE: 230V

COLOUR : 3000K

### DIMENSION :

Height	1450mm	57"
Width	480mm	19"
Shade dia	150mm	5.9"
Base dia	280mm	11"

NET WEIGHT: 7.8kg 17lb

INFO@CKSCollective.COM



WWW.CKSCollective.COM