

ADAM OTLEWSKI

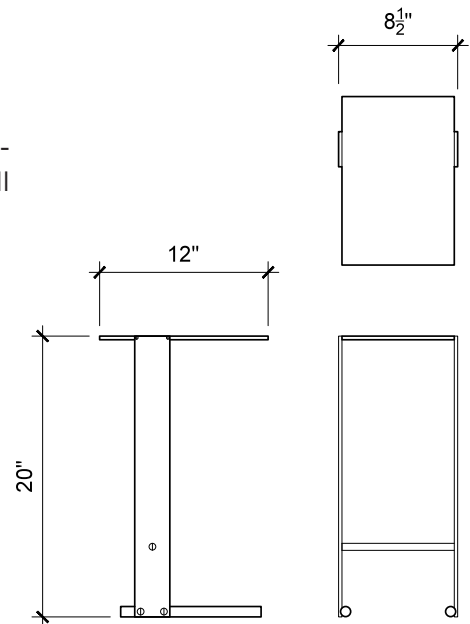


UNTITLED SIDE TABLE 1.0 (RECTANGULAR)

Solid machined brass with recessed hex-head fasteners. Rectangular cantilever design is a play on connections and lightness in a solid metallic form. Petite sized to pull up next to a sofa or reading chair; well suited as a drink tray or book stand.

20"H x 12"D x 8-1/2" W

All material finishes are living finishes: they will change and patina for the better with time and use. Every product is individually hand-made to order and slotted in frequent production batches; lead time is determined once order is confirmed.



ADAM OTLEWSKI

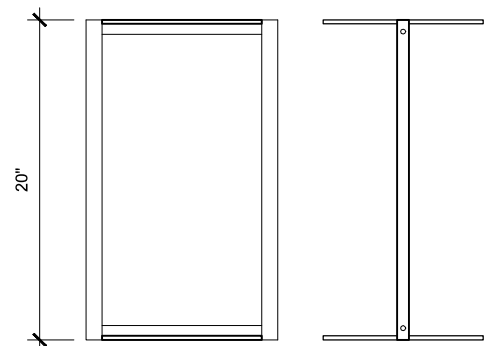
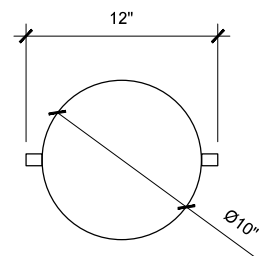


UNTITLED SIDE TABLE 2.0 (ROUND)

Solid machined brass with recessed hex-head fasteners. The suspended lever design is a play on lightness and visual illusion in a solid metallic form. Petite sized to pull up next to a sofa or reading chair; well suited as a drink tray or book stand.

20"H x 12"W x 10" Dia.

All material finishes are living finishes: they will change and patina for the better with time and use. Every product is individually hand-made to order and slotted in frequent production batches; lead time is determined once order is confirmed.



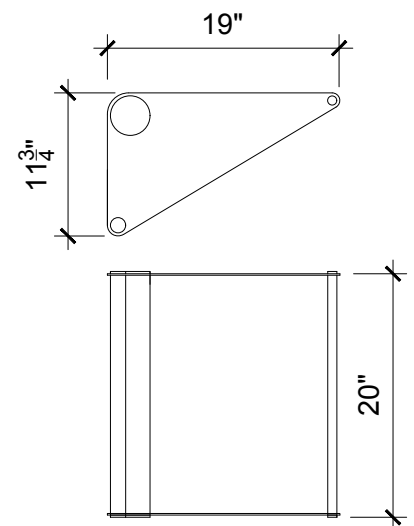
ADAM OTLEWSKI



UNTITLED SIDE TABLE 3.0 (TRIANGULAR)

Solid machined brass with oval head slotted screws.. The triangular design is completely reversible, being fully finished on top and bottom allowing the table to be flipped to whichever side is necessary.

20"H x 19"D x 11-3/4" W



All material finishes are living finishes: they will change and patina for the better with time and use. Every product is individually hand-made to order and slotted in frequent production batches; lead time is determined once order is confirmed.

ADAM OTLEWSKI



Blackened Steel with Satin Lacquer

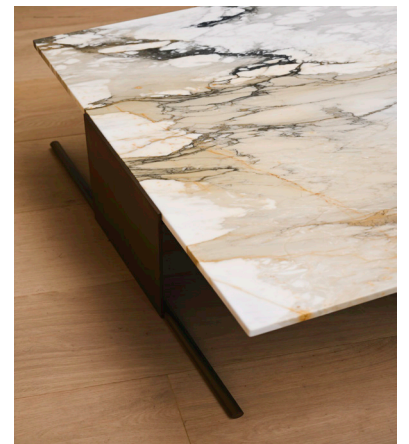


Antique Steel with Matte Lacquer

UNTITLED STEEL TABLES

Larger, more robust realizations of the Untitled Table silhouette can be made from solid welded one-piece steel construction. Suitable for larger scale uses as side tables, cocktail tables and desks. Available in blackened or antique steel, as well as with a stone top.

Customizable to any size or configuration, please inquire with your ideal specification to receive a quote and shop drawing, as well as photos of previous examples.



Antique Steel with Marble Top

ADAM OTLEWSKI



Untitled Side Tables 1.0, 2.0 and 3.0 in
polished unlacquered brass